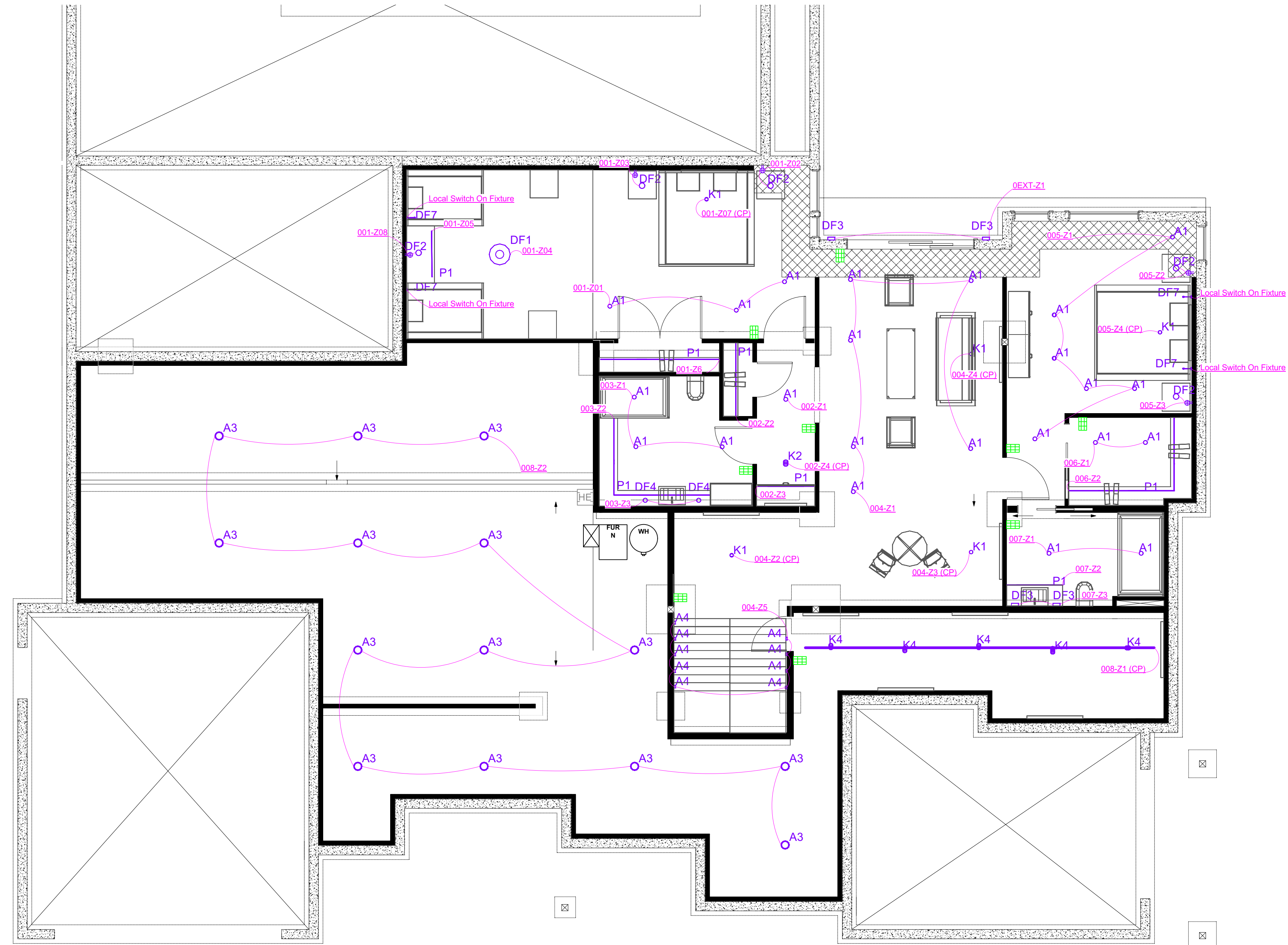


General Notes

1. Wire all "K" fixtures constant hot 120V. Communication is wireless.
2. Land all remaining zones in lighting head end panel as described in Lutron Homeworks Panel Report.
3. Daisy chain all lighting keypads as shown on plan with Lutron QS 18/4 cabling.
4. Final lighting location to be field verified and placement confirmed with architect, electrician, and general contractor based on site conditions and design intent.
5. These drawings are for internal review and reference only. Refer to architectural, interior design, or electrical drawings for additional information and dimensioned location of lighting fixtures.



FOUNDATION

1 Lower Floor
Scale: 1:60



CURRENT
HOME TECHNOLOGIES

1900 MAIN STREET
VANCOUVER, WA 98660
360-859-3487



FOR DESIGN PURPOSES ONLY. NOT FOR CONSTRUCTION

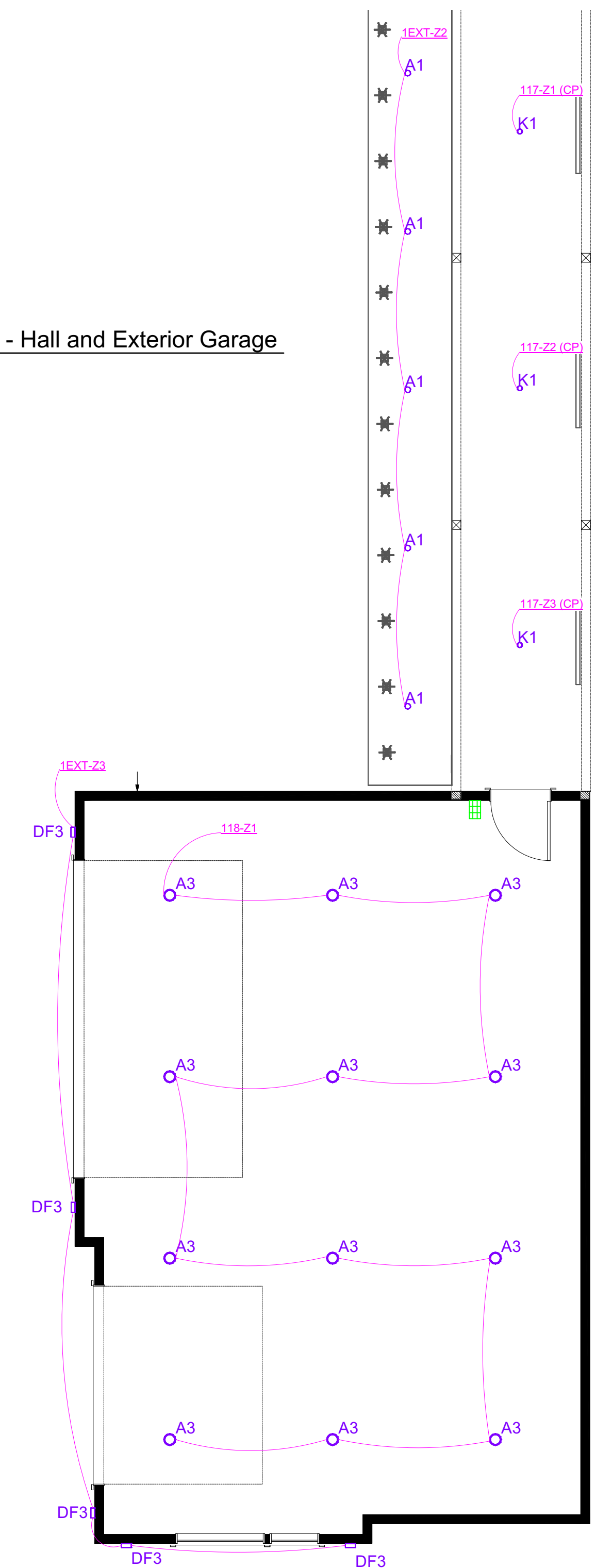
| | |
|------------------|--------------------------------------|
| PROJECT: | Example |
| ADDRESS: | Clark County Clark County, WA |
| SHEET: | CHT-L01 Lower Floor Lighting Plan |
| REVISION: | 1.0 |
| DATE: | 2022 |

General Notes

1. Wire all "K" fixtures constant hot 120V. Communication is wireless.
2. Land all remaining zones in lighting head end panel as described in Lutron Homeworks Panel Report.
3. Daisy chain all lighting keypads as shown on plan with Lutron QS 18/4 cabling.
4. Final lighting location to be field verified and placement confirmed with architect, electrician, and general contractor based on site conditions and design intent.
5. These drawings are for internal review and reference only. Refer to architectural, interior design, or electrical drawings for additional information and dimensioned location of lighting fixtures.



2 Upper Floor - Hall and Exterior Garage
Scale: 1:60



1900 MAIN STREET
VANCOUVER, WA 98660
360-859-3487

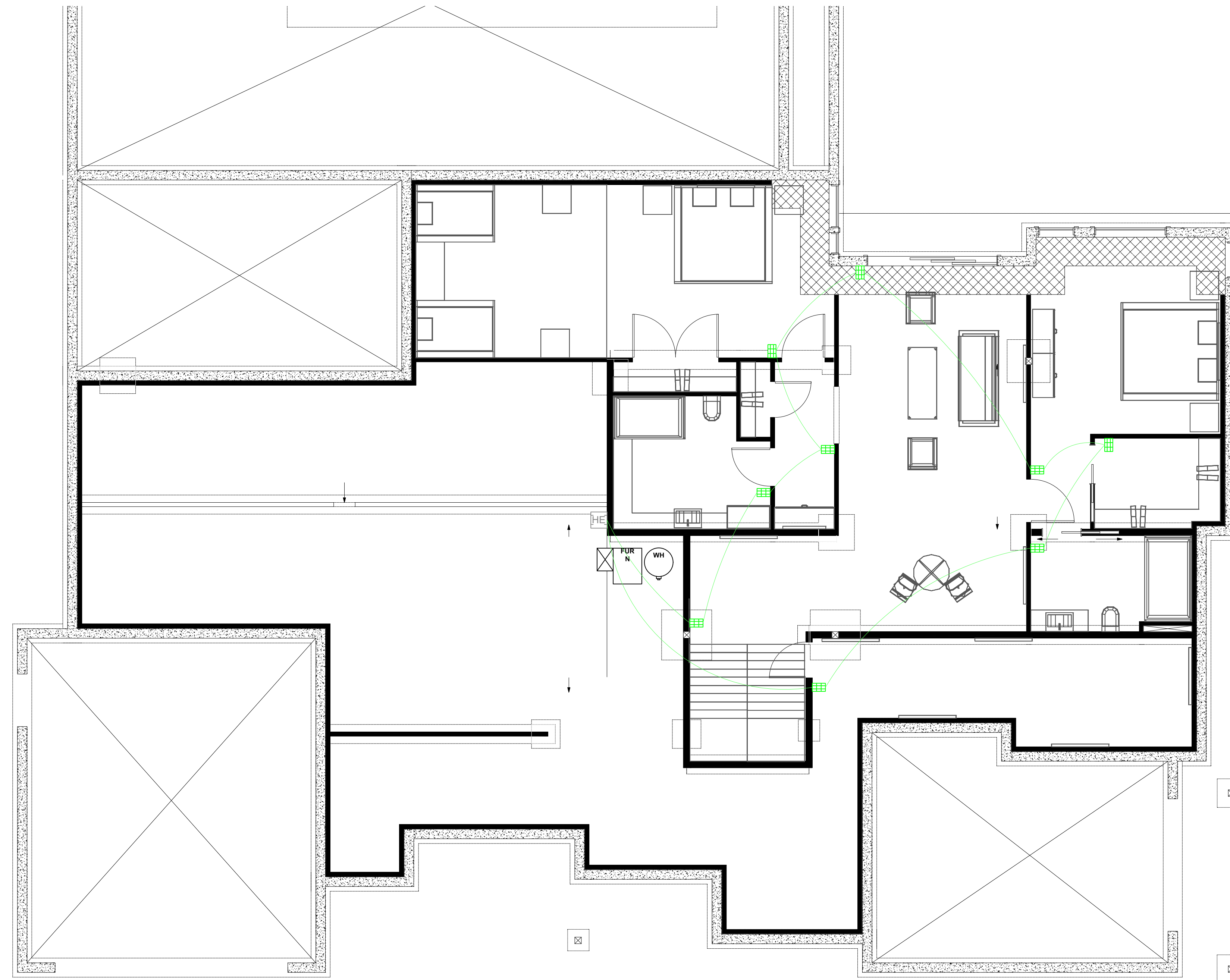


FOR DESIGN PURPOSES ONLY. NOT FOR CONSTRUCTION

| | |
|-----------|--------------------------------------|
| PROJECT: | Example |
| ADDRESS: | Clark County Clark County, WA |
| SHEET: | CHT-L02 Upper Floor Lighting Plan |
| REVISION: | 1.0 |
| DATE: | 2022 |

General Notes

1. Wire all "K" fixtures constant hot 120V. Communication is wireless
2. Land all remaining zones in lighting head end panel as described in Lutron Homeworks Panel Report.
3. Daisy chain all lighting keypads as shown on plan with Lutron QS 18/4 cabling.
4. Final lighting location to be field verified and placement confirmed with architect, electrician, and general contractor based on site conditions and design intent.
5. These drawings are for internal review and reference only. Refer to architectural, interior design, or electrical drawings for additional information and dimensioned location of lighting fixtures.



1 Lower Floor
Scale: 1:60

FOUNDATION



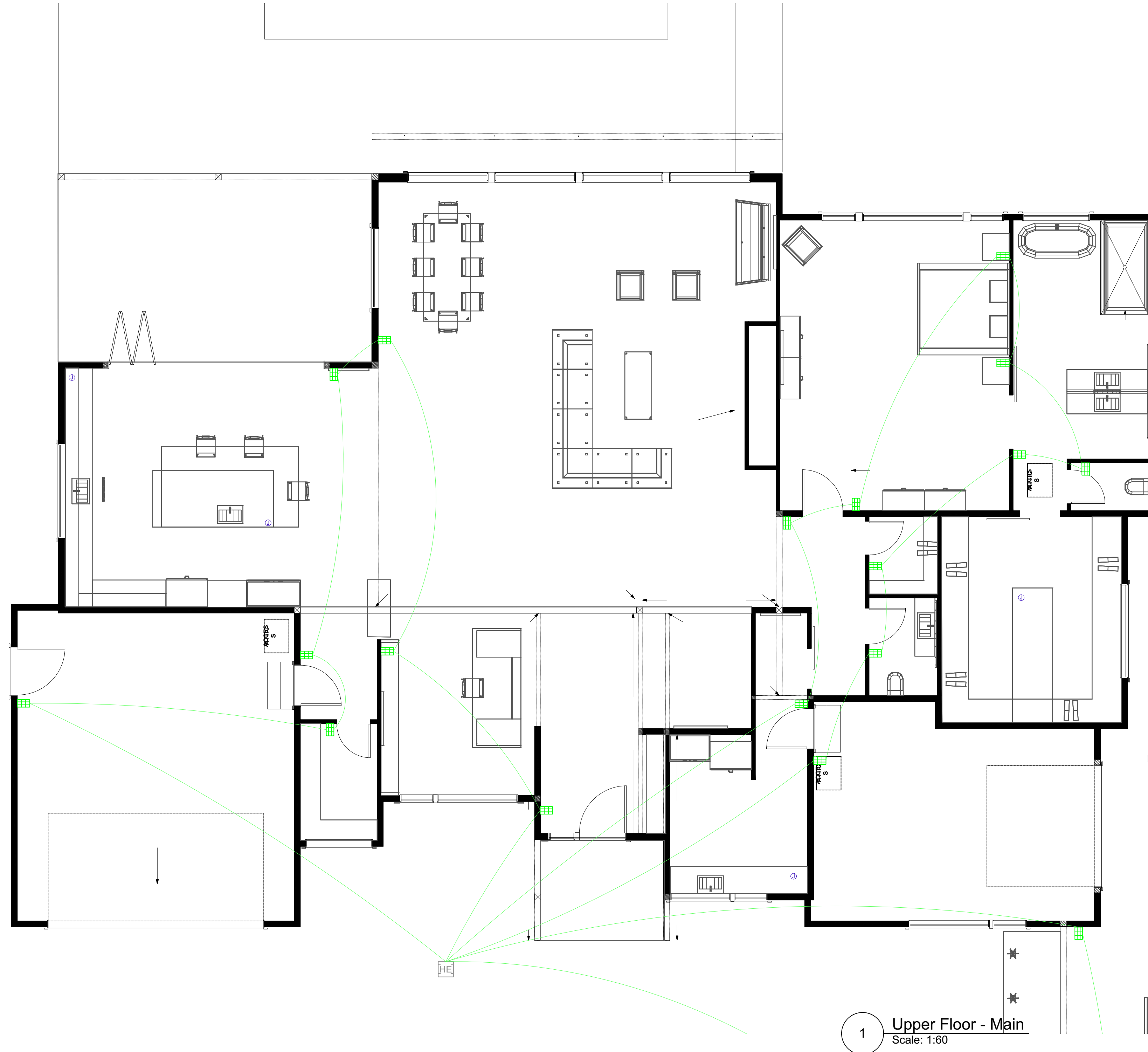
1900 MAIN STREET
VANCOUVER, WA 98660
360-859-3487

FOR DESIGN PURPOSES ONLY. NOT FOR CONSTRUCTION

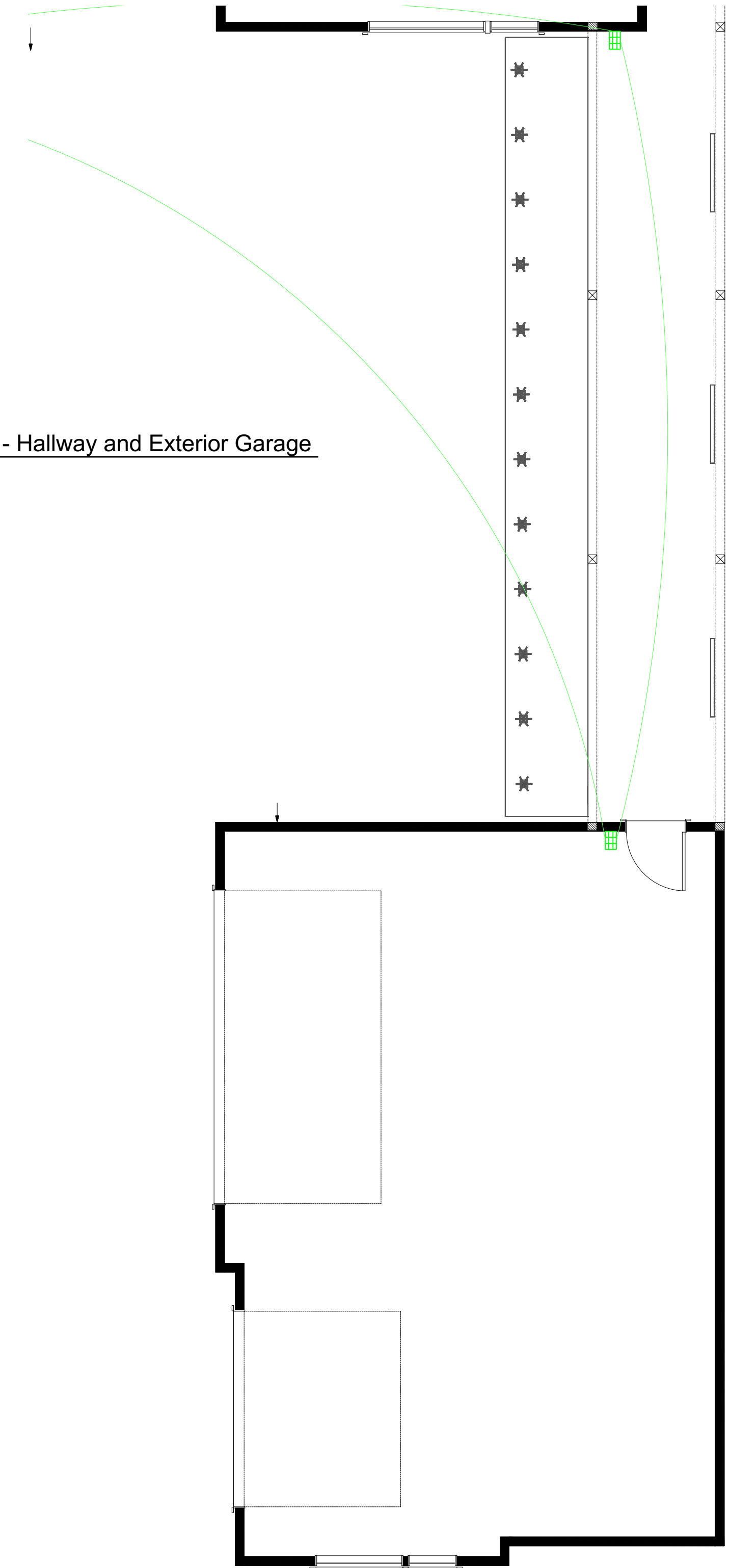


| | |
|-----------|------------------------------------|
| PROJECT: | Example |
| ADDRESS: | Clark County Clark County, WA |
| SHEET: | CHT-L03 Lower Floor Keypad Plan |
| REVISION: | 1.0 |
| DATE: | 2022 |

- General Notes
1. Wire all "K" fixtures constant hot 120V. Communication is wireless
 2. Land all remaining zones in lighting head end panel as described in Lutron Homeworks Panel Report.
 3. Daisy chain all lighting keypads as shown on plan with Lutron QS 18/4 cabling.
 4. Final lighting location to be field verified and placement confirmed with architect, electrician, and general contractor based on site conditions and design intent.
 5. These drawings are for internal review and reference only. Refer to architectural, interior design, or electrical drawings for additional information and dimensioned location of lighting fixtures.



2 Upper Floor - Hallway and Exterior Garage
Scale: 1:60



1900 MAIN STREET
VANCOUVER, WA 98660
360-859-3487

FOR DESIGN PURPOSES ONLY. NOT FOR CONSTRUCTION



| | |
|-----------|------------------------------------|
| PROJECT: | Example |
| ADDRESS: | Clark County Clark County, WA |
| SHEET: | CHT-L04 Upper Floor Keypad Plan |
| REVISION: | 1.0 |
| DATE: | 2022 |



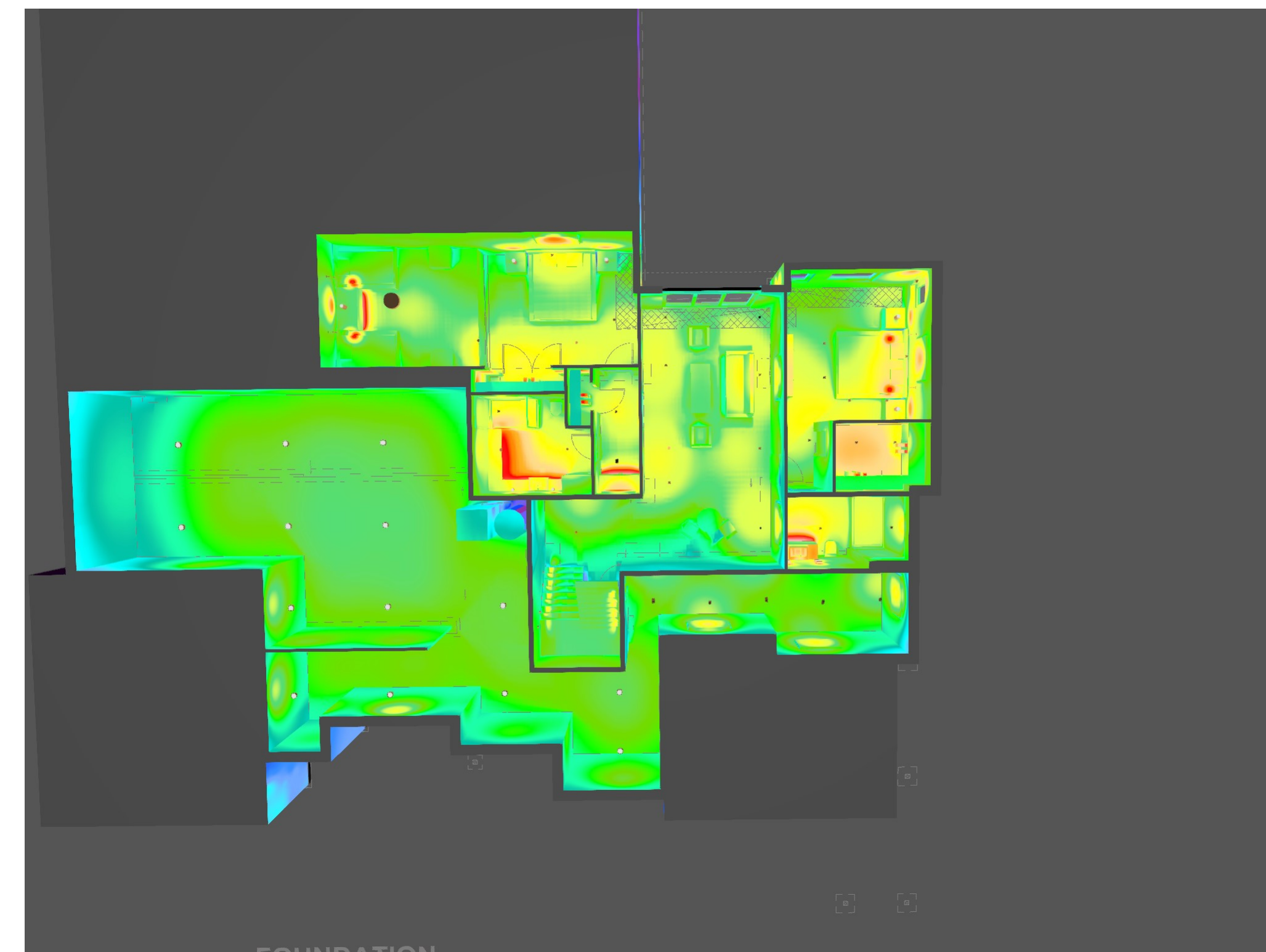
Upper Floor



Upper Floor FC



Lower Floor



Lower Floor FC



CURRENT
HOME TECHNOLOGIES

1900 MAIN STREET
VANCOUVER, WA 98660
360-859-3487

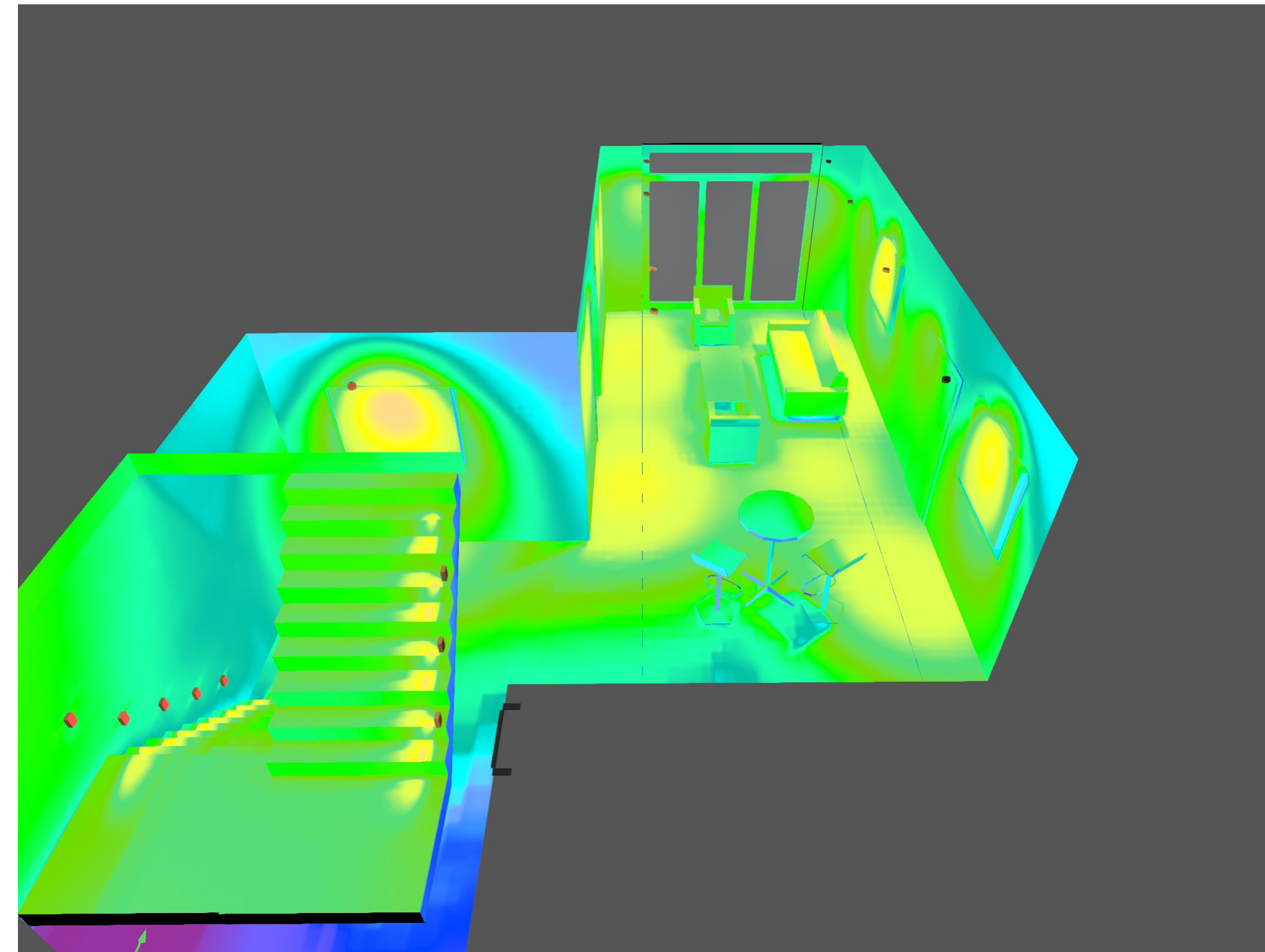
FOR DESIGN PURPOSES ONLY. NOT FOR CONSTRUCTION



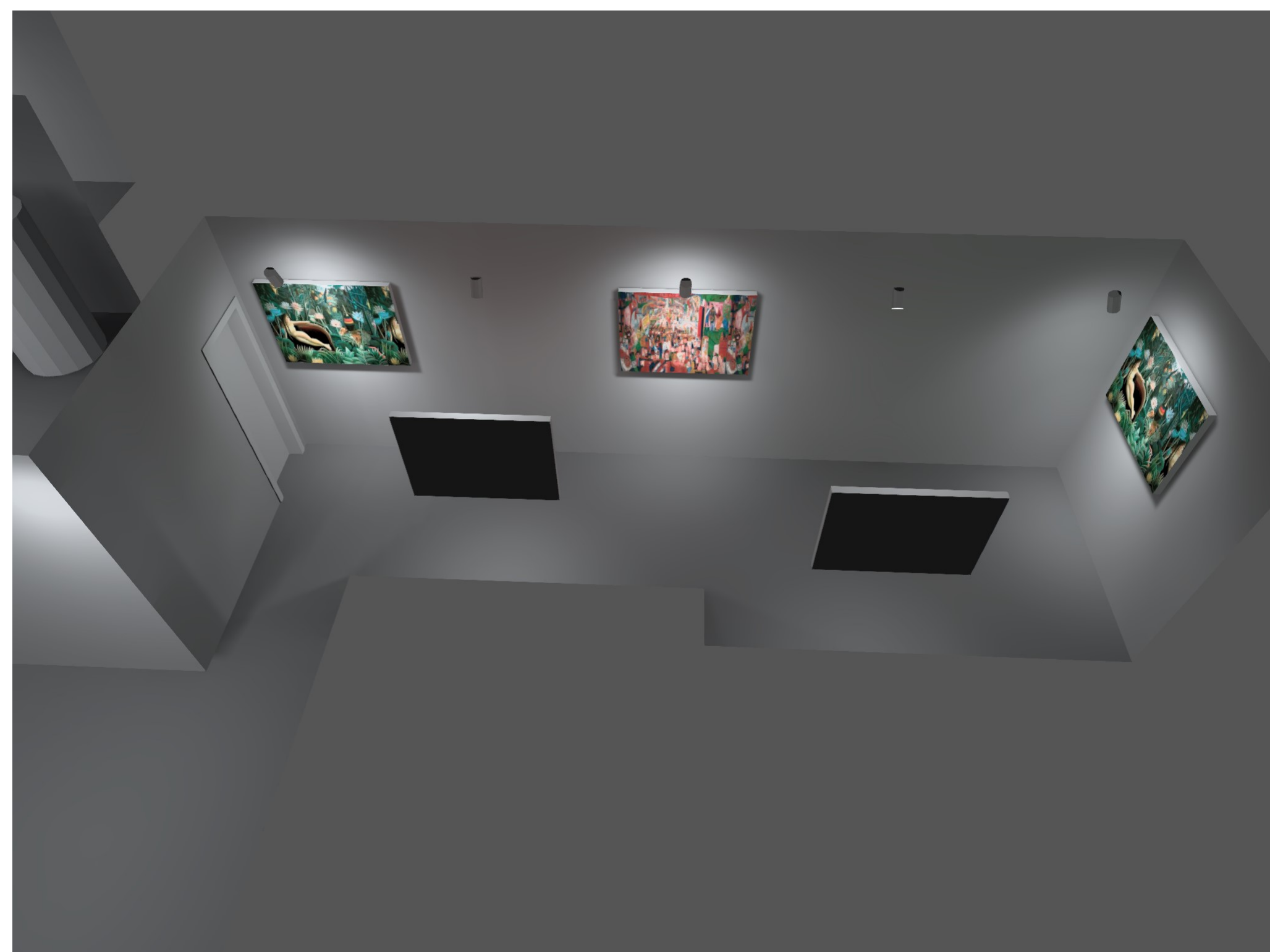
| | |
|------------------|---|
| PROJECT: | Example |
| ADDRESS: | Clark County Clark County, WA |
| SHEET: | CHT-R01 Example Renderings, Main and Lower Floor |
| REVISION: | 1.0 |
| DATE: | 2022 |



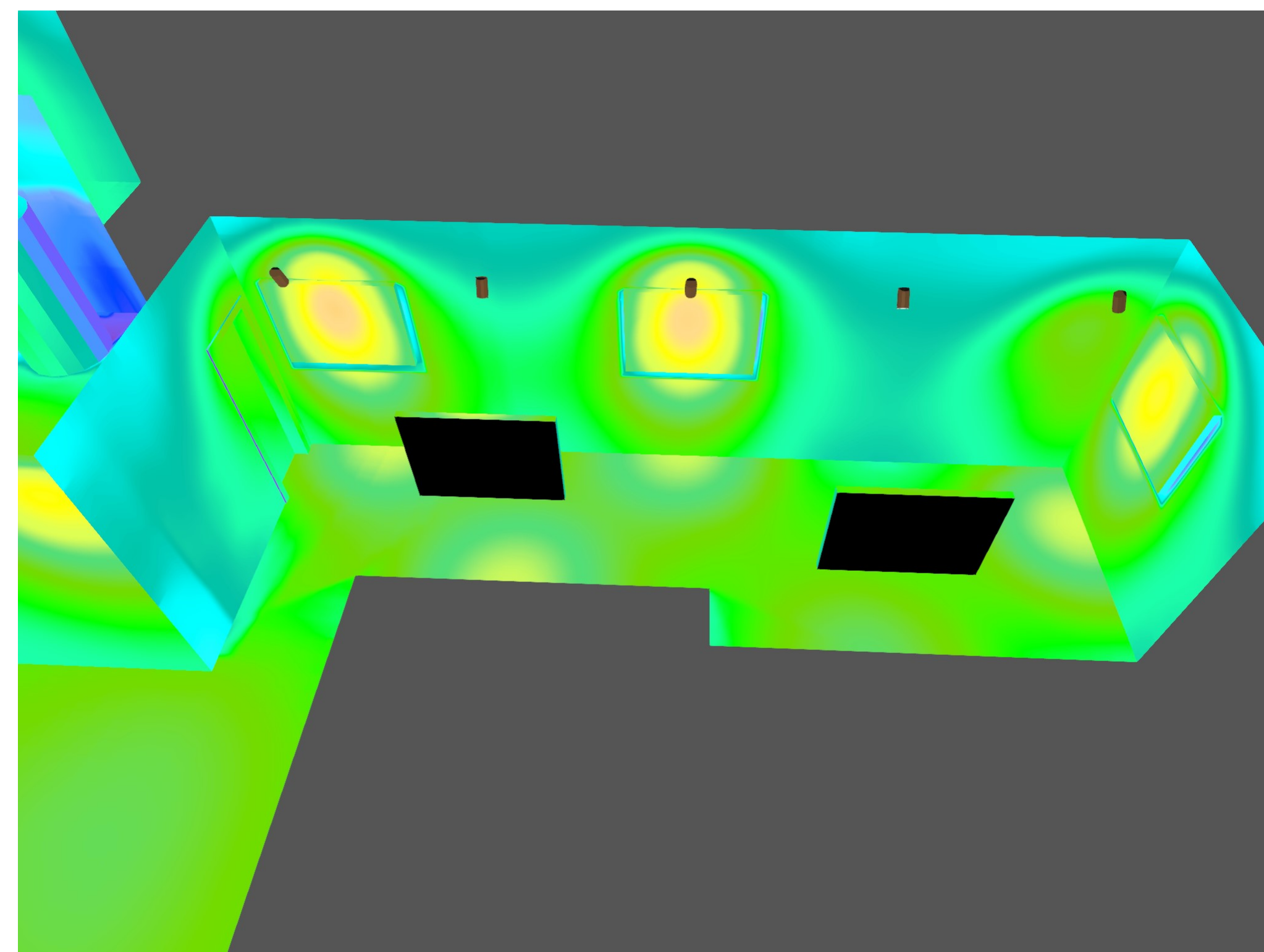
Recreation Room



Recreation Room FC



Crawl Space



Crawl Space FC



CURRENT
HOME TECHNOLOGIES

1900 MAIN STREET
VANCOUVER, WA 98660
360-859-3487

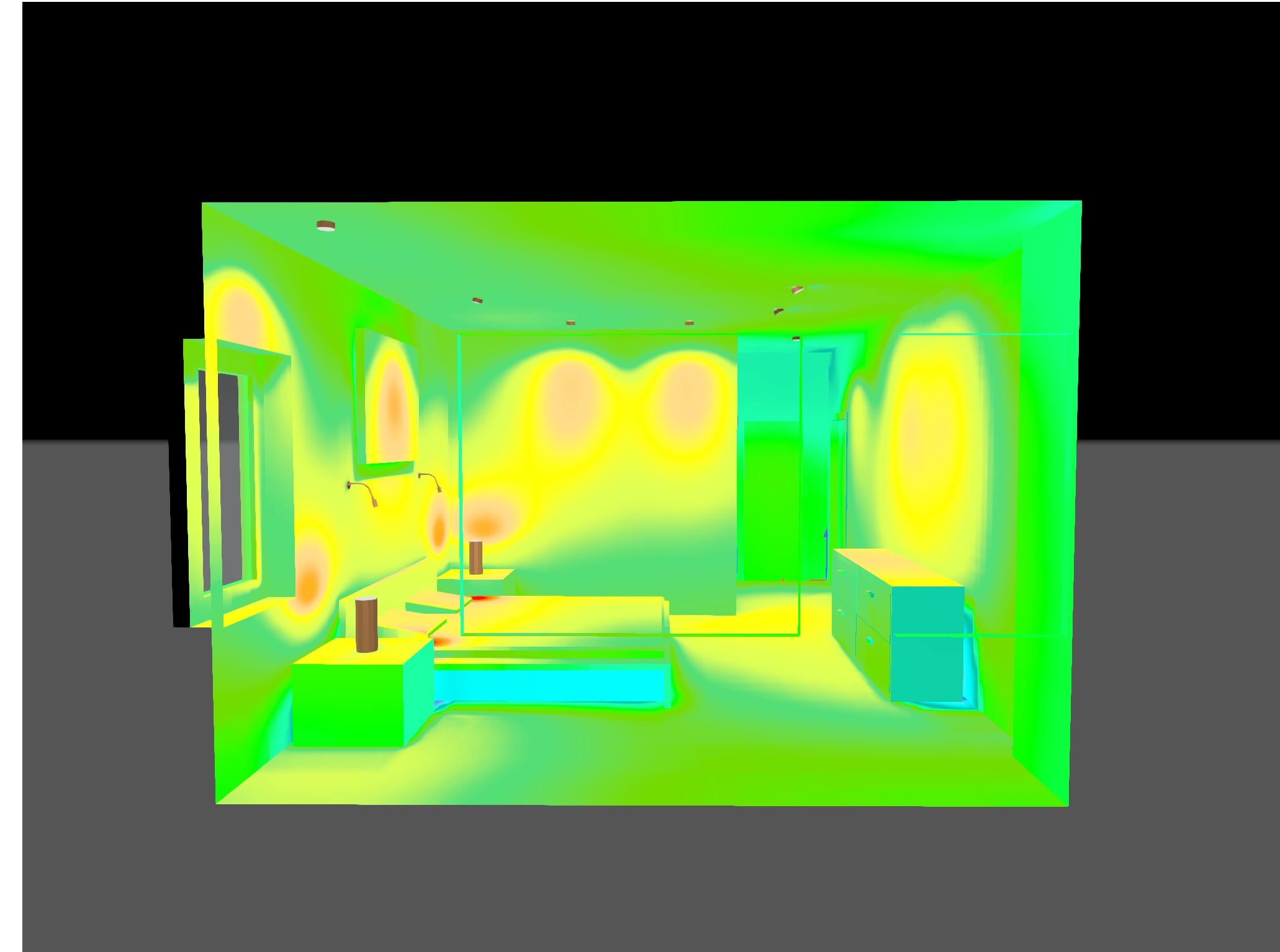
FOR DESIGN PURPOSES ONLY. NOT FOR CONSTRUCTION



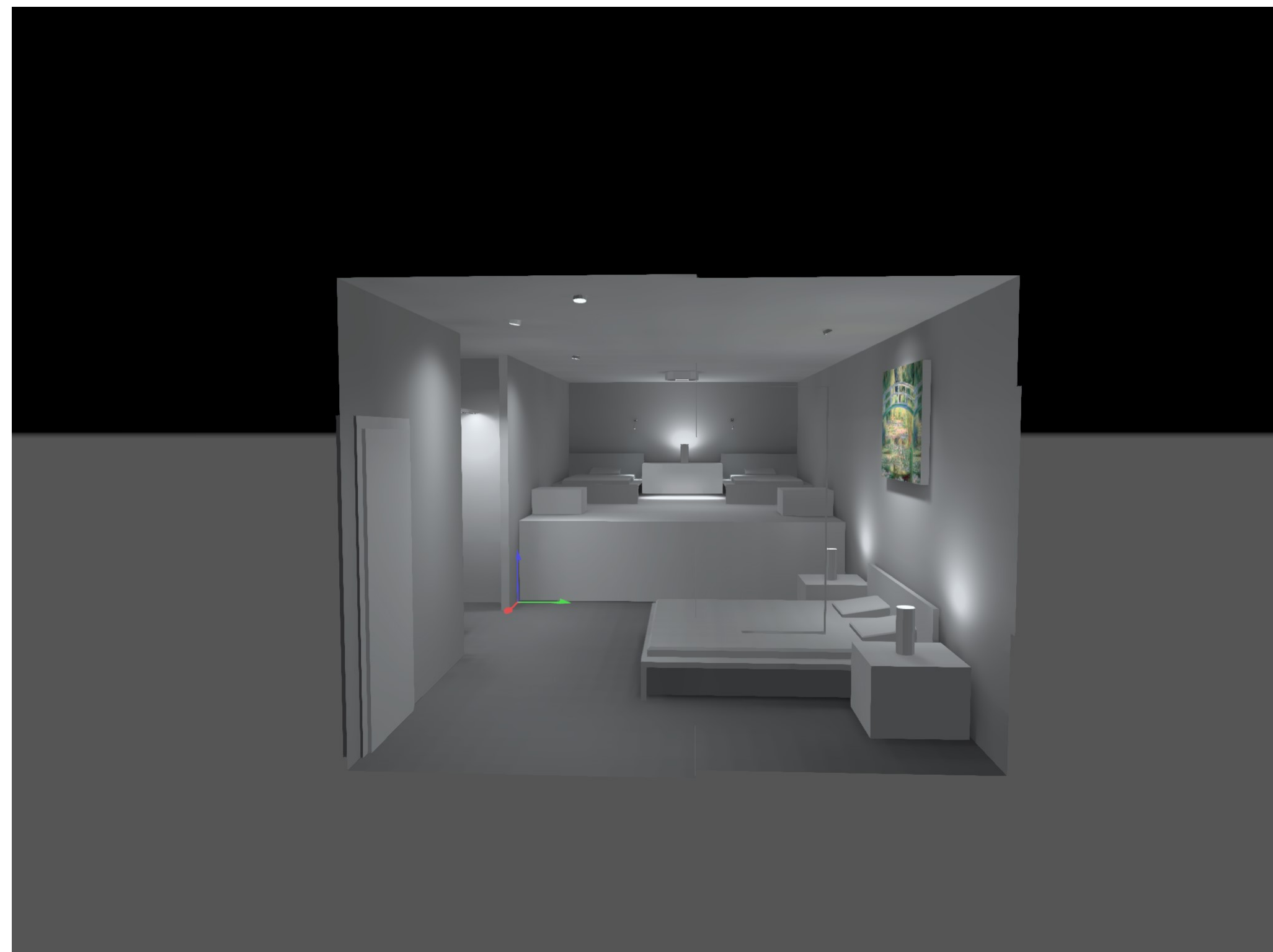
| | |
|------------------|---|
| PROJECT: | Example |
| ADDRESS: | Clark County Clark County, WA |
| SHEET: | CHT-R02 Example Renderings, Rec Room and Crawl Space |
| REVISION: | 1.0 |
| DATE: | 2022 |



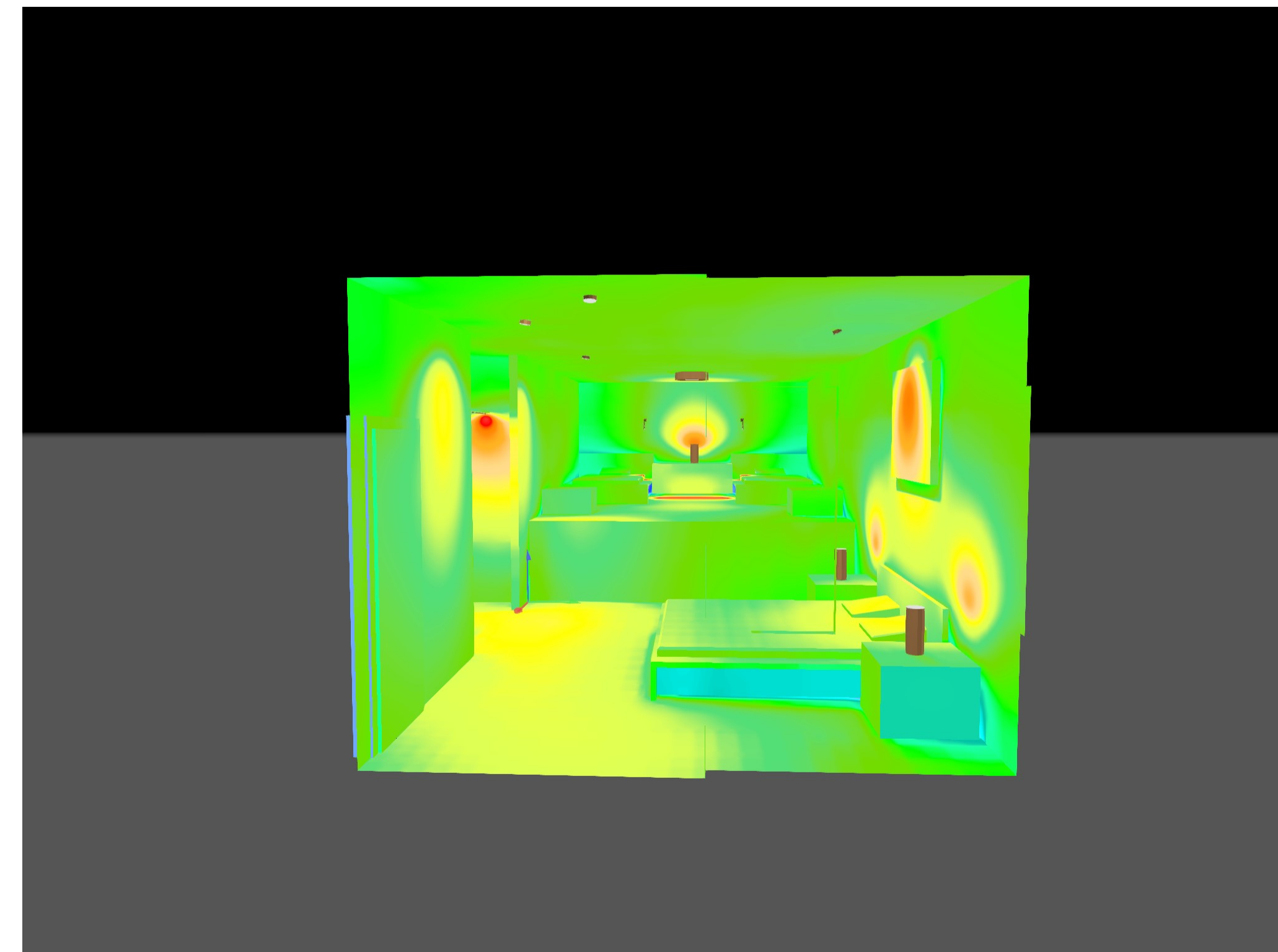
Bedroom 2



Bedroom 2 FC



Bedroom 3



Bedroom 3 FC



1900 MAIN STREET
VANCOUVER, WA 98660
360-859-3487

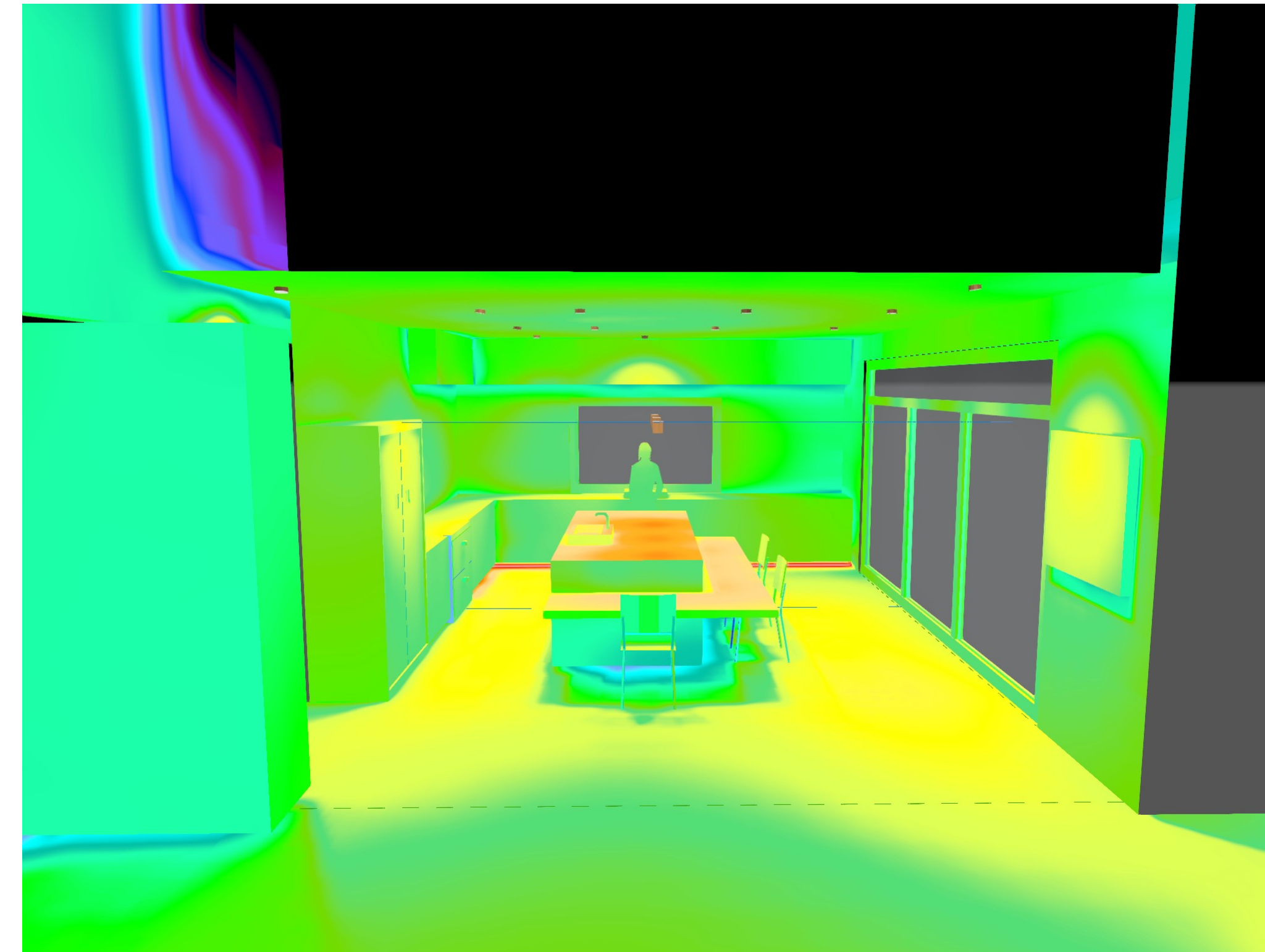
FOR DESIGN PURPOSES ONLY. NOT FOR CONSTRUCTION



| | |
|------------------|--|
| PROJECT: | Example |
| ADDRESS: | Clark County Clark County, WA |
| SHEET: | CHT-R03 Example Renderings, Bedroom 2 and Bedroom 3 |
| REVISION: | 1.0 |
| DATE: | 2022 |



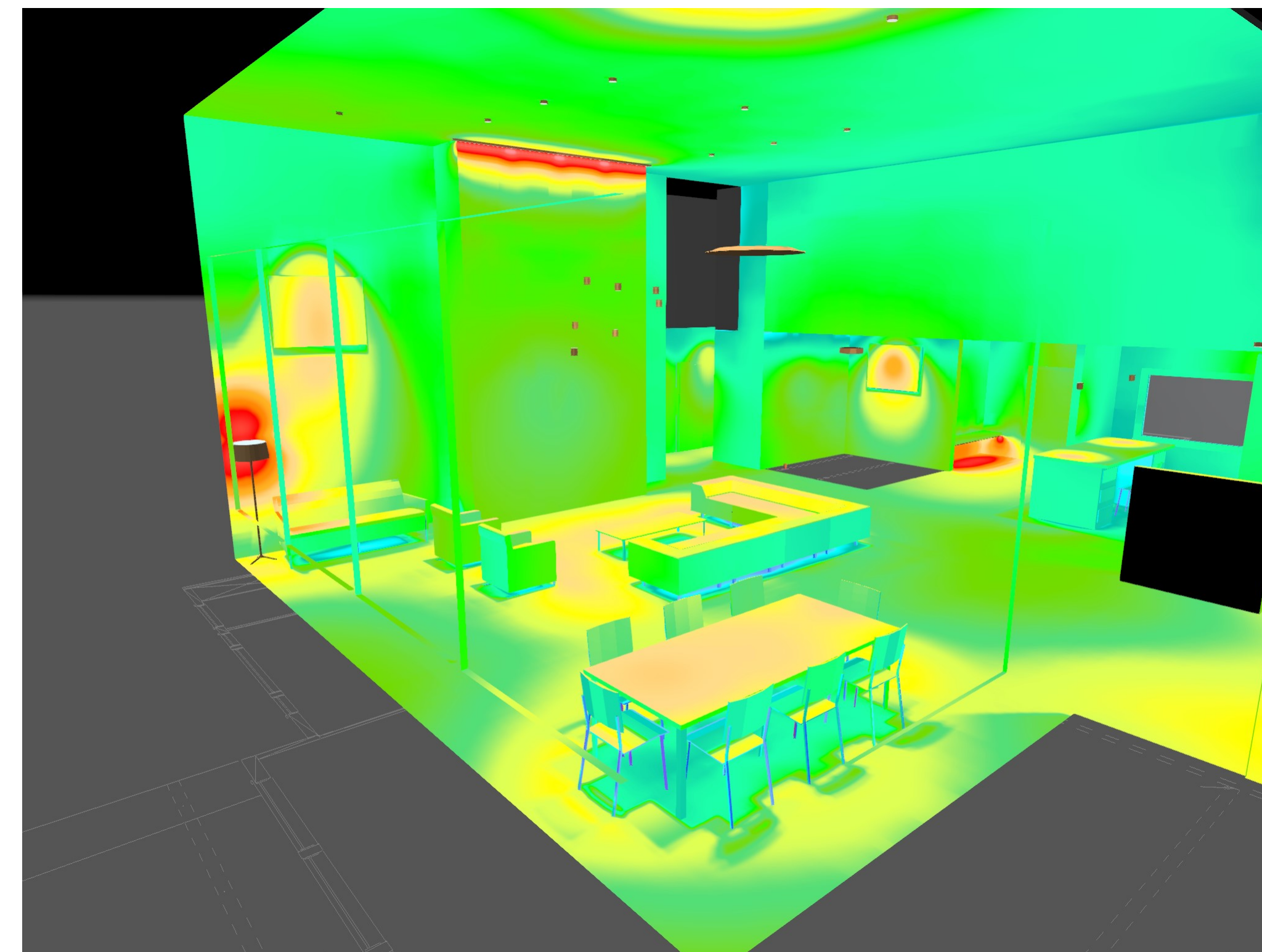
Kitchen



Kitchen FC



Great Room



Great Room FC



CURRENT
HOME TECHNOLOGIES

1900 MAIN STREET
VANCOUVER, WA 98660
360-859-3487

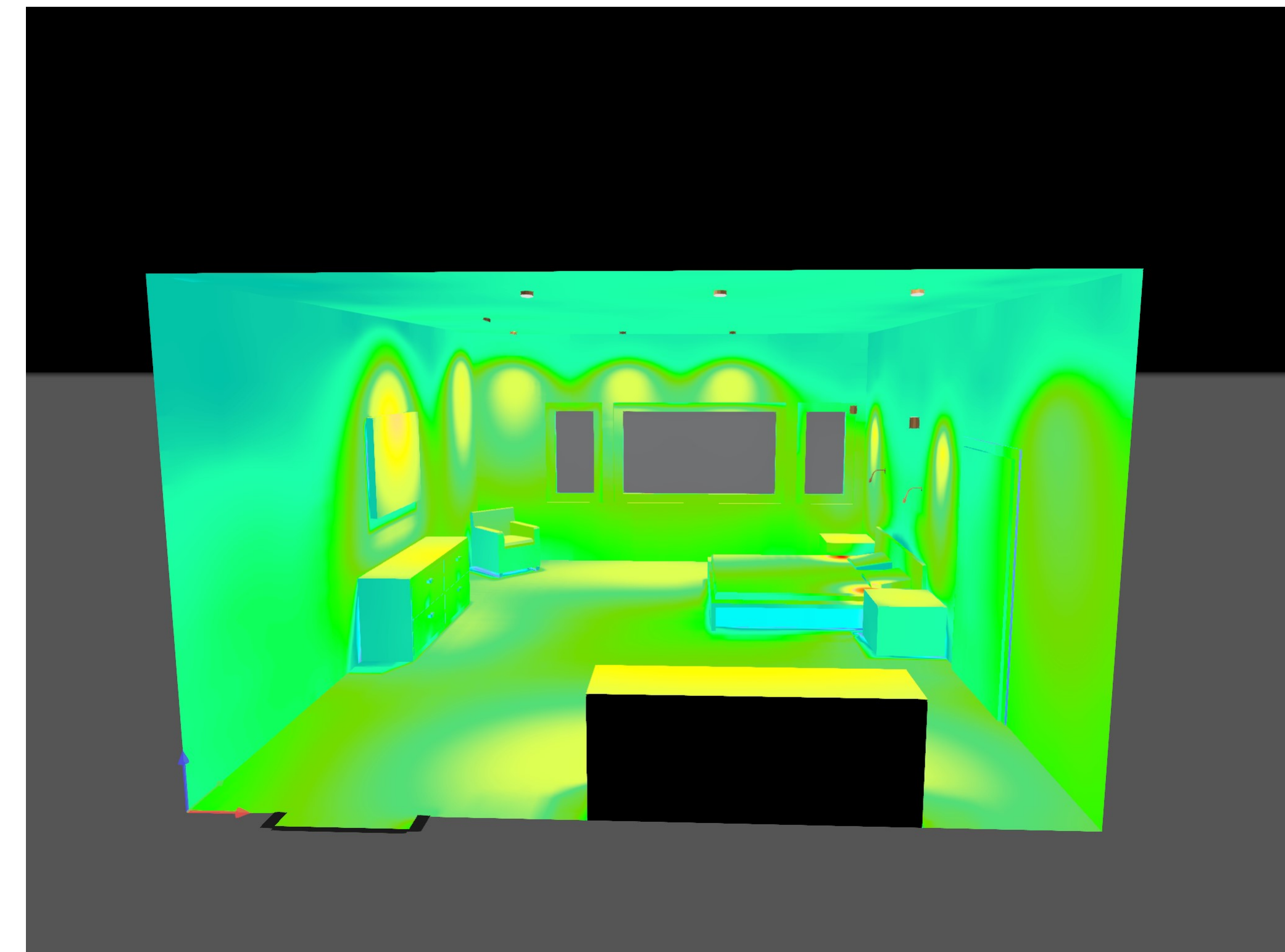
FOR DESIGN PURPOSES ONLY. NOT FOR CONSTRUCTION



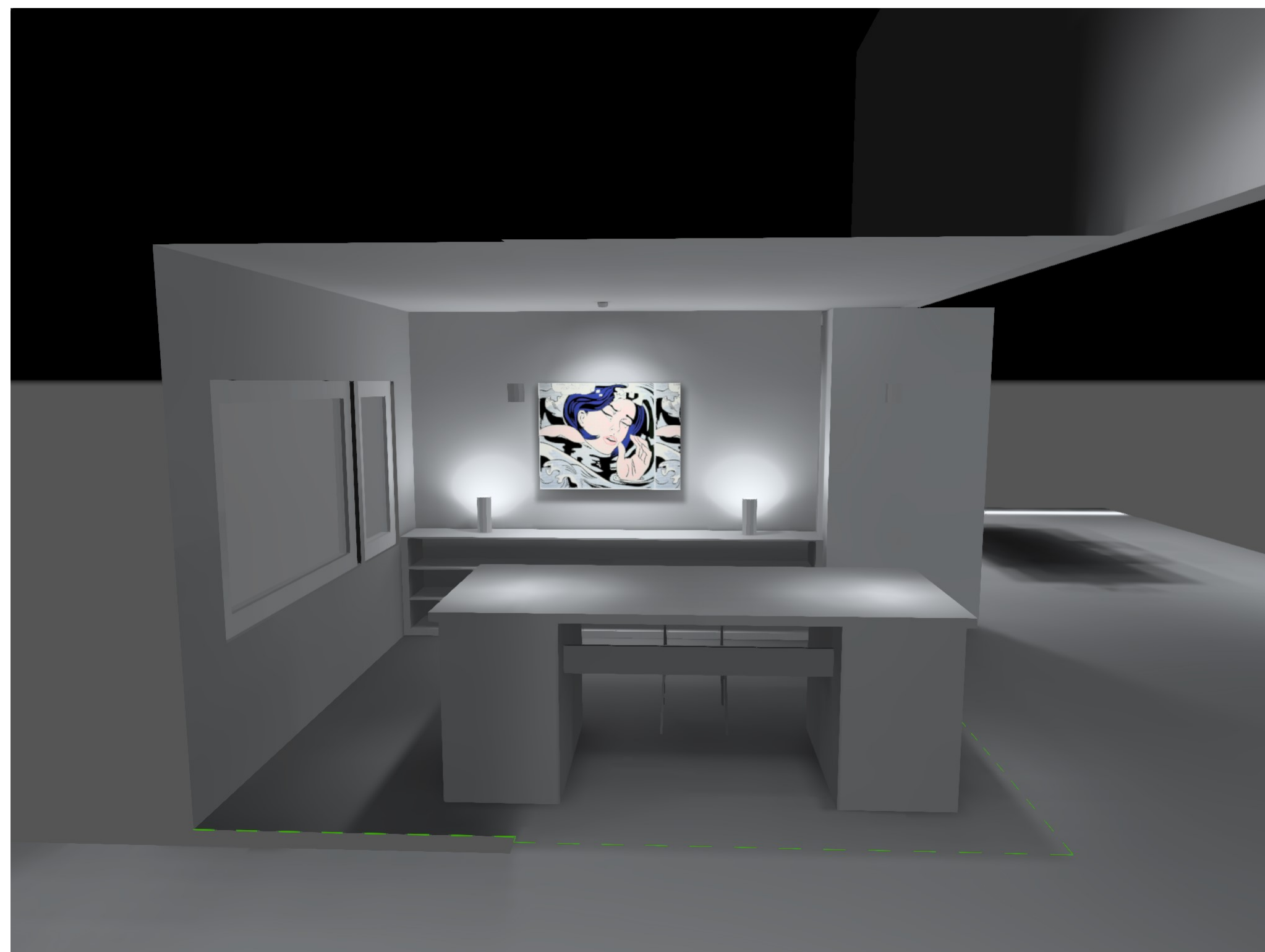
| | |
|------------------|---|
| PROJECT: | Example |
| ADDRESS: | Clark County Clark County, WA |
| SHEET: | CHT-R04 Example Renderings, Great Room and Kitchen |
| REVISION: | 1.0 |
| DATE: | 2022 |



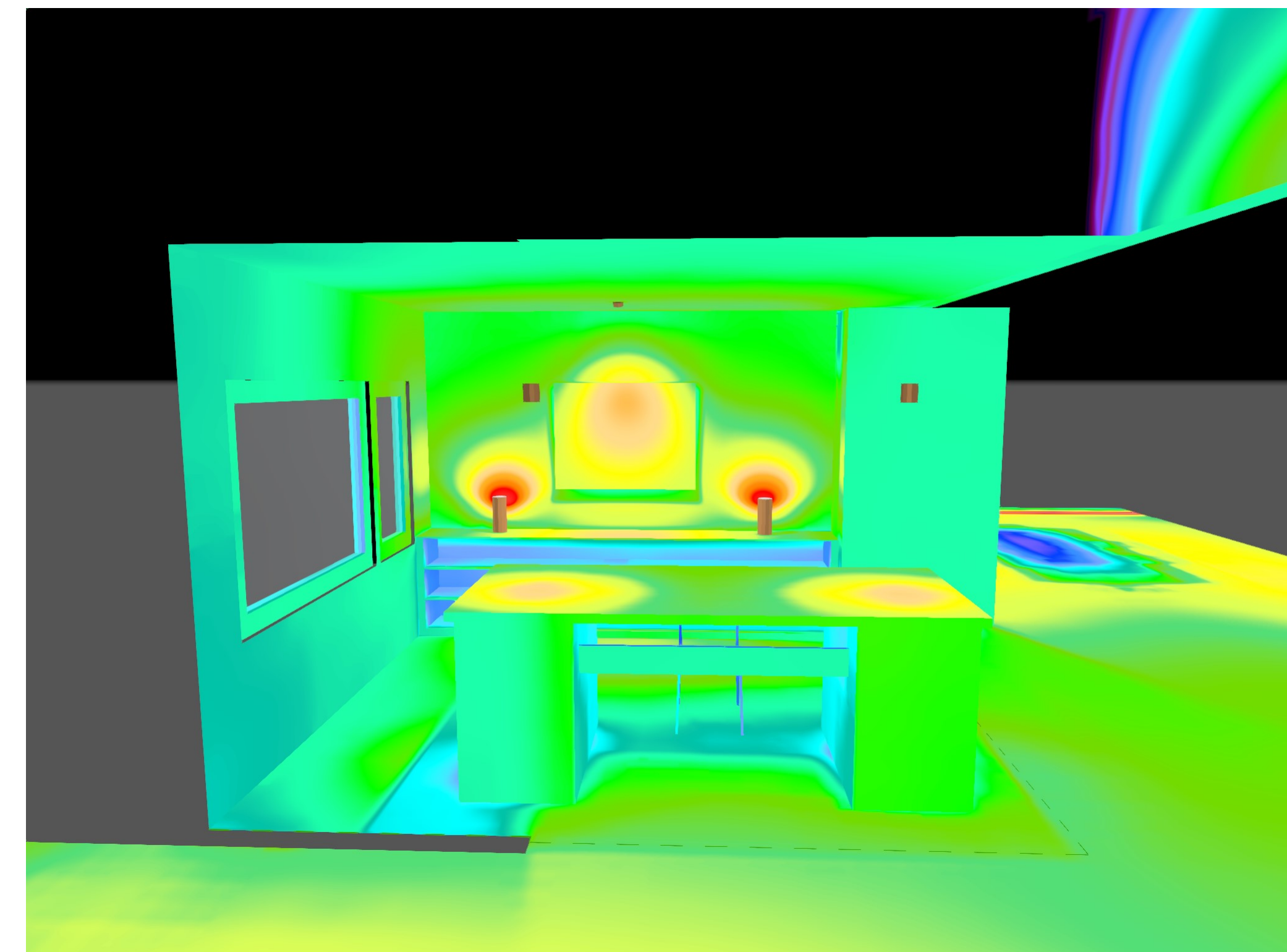
Master Bedroom



Master Bedroom FC



Office



Office FC



CURRENT
HOME TECHNOLOGIES

1900 MAIN STREET
VANCOUVER, WA 98660
360-859-3487

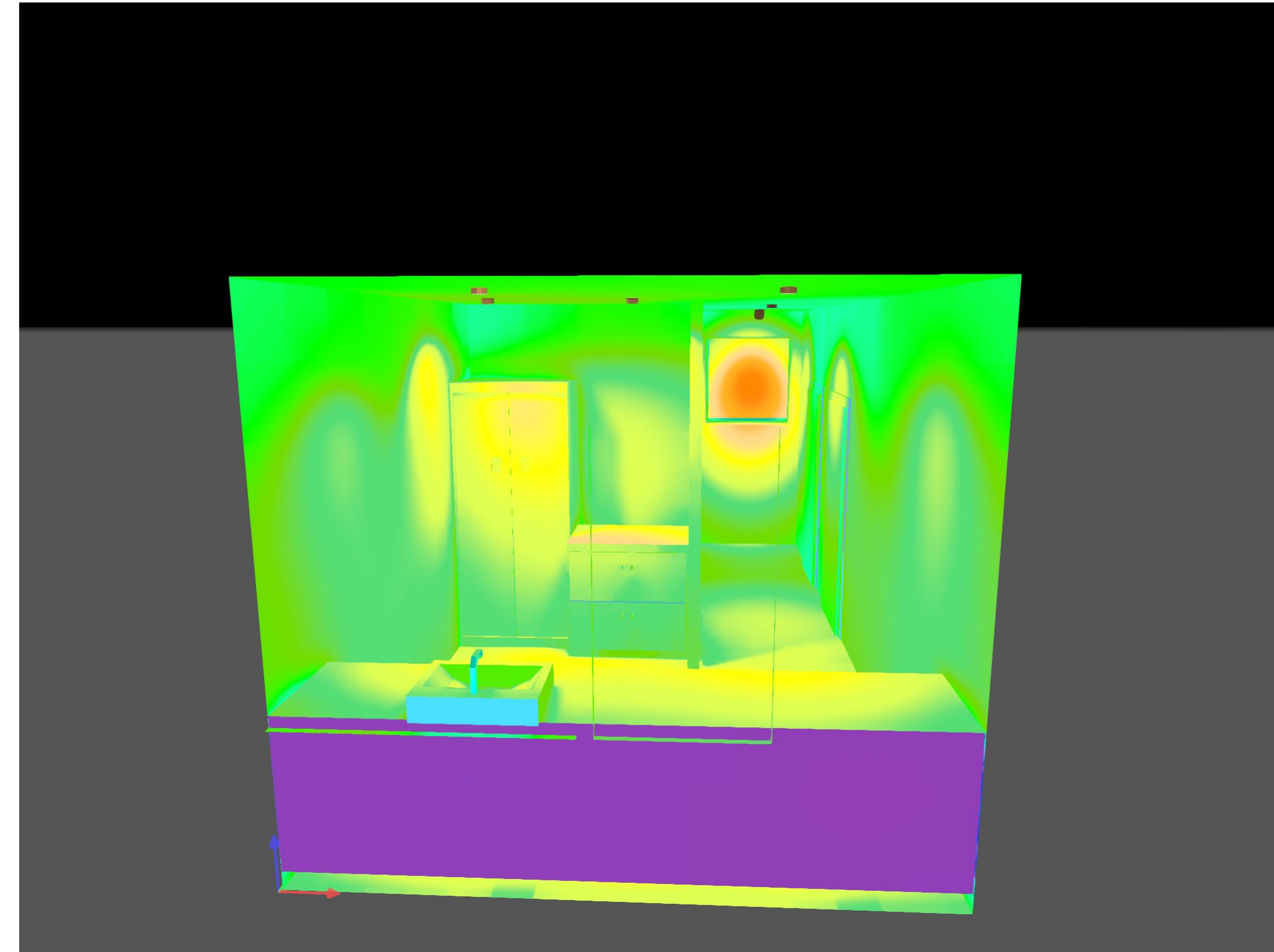
FOR DESIGN PURPOSES ONLY. NOT FOR CONSTRUCTION



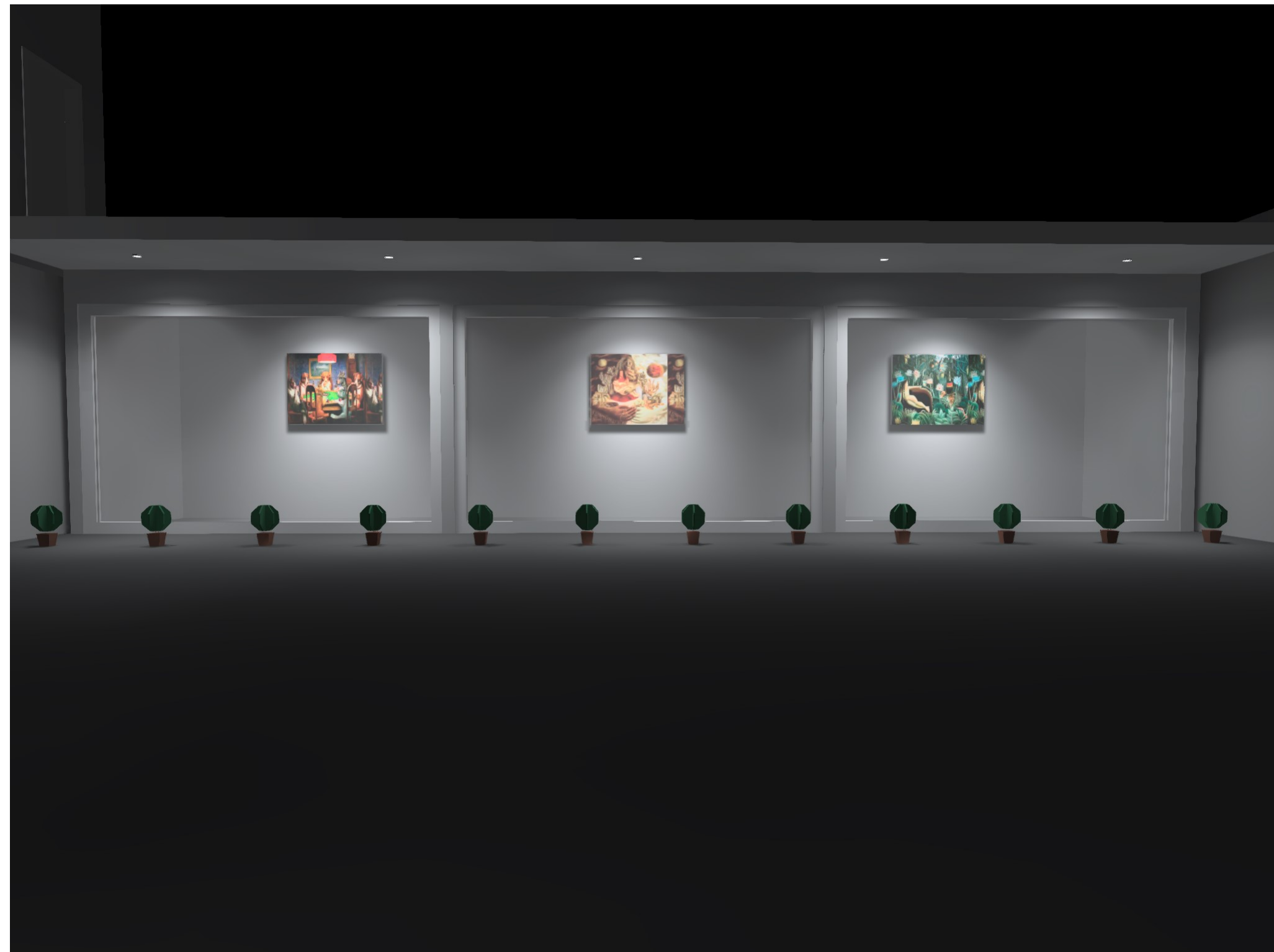
| | |
|------------------|--|
| PROJECT: | Example |
| ADDRESS: | Clark County Clark County, WA |
| SHEET: | CHT-R05 Example Renderings, Master Bedroom and Office |
| REVISION: | 1.0 |
| DATE: | 2022 |



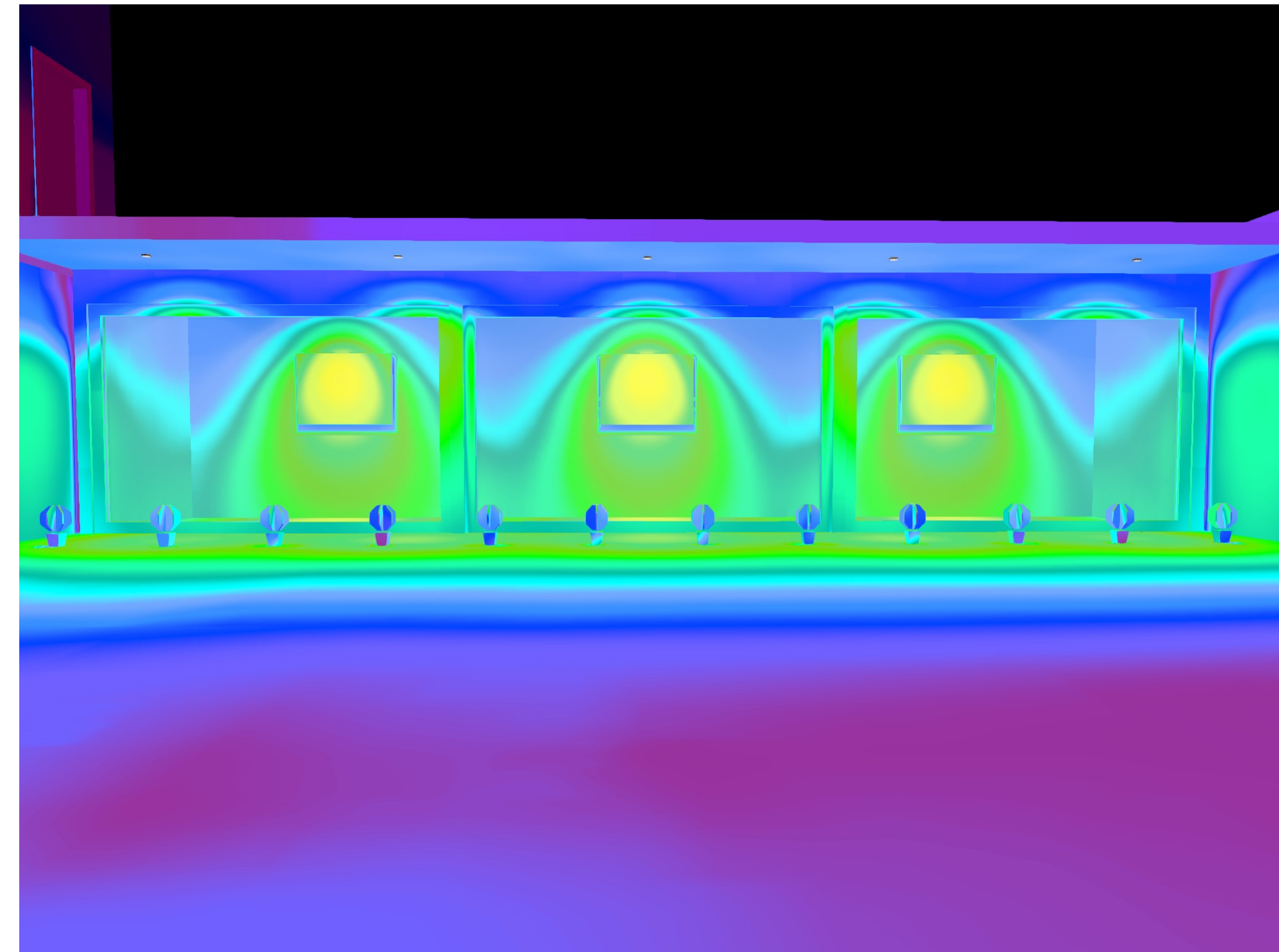
Utility



Utility FC



Exterior



Exterior FC



CURRENT
HOME TECHNOLOGIES

1900 MAIN STREET
VANCOUVER, WA 98660
360-859-3487



FOR DESIGN PURPOSES ONLY. NOT FOR CONSTRUCTION



| | |
|------------------|---|
| PROJECT: | Example |
| ADDRESS: | Clark County Clark County, WA |
| SHEET: | CHT-R06 Example Renderings, Utility Room and Exterior Hall |
| REVISION: | 1.0 |
| DATE: | 2022 |

A1

ALPINE
A1RE-D46, A1RE-D47 3.5' Adjustable Downlight

Fixture Type: _____
Catalog Number: _____
Project: _____
Location: _____

FINISHES

White Haze Haze/White

| Trim (Order Housing Separately) | Model | Beam | Color Temp | Lumens | CBCP | Finish |
|---------------------------------|--|------------------|----------------------|------------|--------------|-----------------------------|
| | A1RE-D46 Round Trim Downlight & Adjustable | Spot 18' | 27 2700K 30 3000K | 855 940 | 4989 5364 | HZWT Haze/White WT White |
| | | Narrow Flood 36' | 27 2700K 30 3000K | 840 905 | 1463 1574 | |
| | | Flood 51' | 27 2700K 30 3000K | 805 885 | 839 902 | |
| | A1RE-D47 Round Trimless Downlight & Adjustable | Spot 18' | 27 2700K 30 3000K | 855 940 | 4989 5364 | HZ Haze WT White |
| | | Narrow Flood 36' | 27 2700K 30 3000K | 840 905 | 1463 1574 | |
| | | Flood 51' | 27 2700K 30 3000K | 805 885 | 839 902 | |

A1RE-D4_ _ _ _ _
Example: A1RE-D46-WT

DESCRIPTION

ALPINE offers performance features in a simple but versatile package for residential and commercial applications alike. One housing can be used for downlight, adjustable, pinhole, wall wash trims.

FEATURES

- 3 beam angle options included:
- Narrow flood beam film pre-installed, interchangeable flood beam film supplied, remove film for spot beam
- IC-Rated, Airtight, New Construction
- Adjustable LED light engine included with housing:
- Vertical Adjustment 0-30', Horizontal Adjustment 360'
- Shallow housing under 4" depth
- 5 year warranty

SPECIFICATIONS

Construction: Die-cast Aluminum trim and heat sink

Power: 13.5W

Input: 120-277V, 50/60Hz

Dimming: 100%-1% TRIAC/ELV
100%-5% 0-10V

Light Source: High output COB LED

Rated Life: 50,000 Hours

Mounting: Retention clip firmly hold trim to housing
Cut Out 4 1/4" New Construction Housing
3 3/4" Remodel Housing

Finish: Powder Coated White, enamel-coated haze

Ceiling Thickness: 1/2" - 1"


Operating Temp: -4°F to 104°F (-20°C to 40°C)

Standards: UL, cUL, Wet Location Listed, Title 24 JAB-2019 Compliant, IC, Airtight

| | | | |
|---|---|---|---|
| aispire.com Phone (800) 526.2588 Fax (800) 526.2585 | Headquarters/Eastern Distribution Center 44 Harbor Park Drive Port Washington, NY 11050 | Central Distribution Center 1500 Distribution Ct Lithia Springs, GA 30122 | Western Distribution Center 1750 Archibald Avenue Ontario, CA 91760 |
|---|---|---|---|

aispire retains the right to modify the design of our products at any time as part of the company's continuous improvement program. SEPT. 2020 1

ALPINE
A1RE-D46, A1RE-D47 3.5' Adjustable Downlight



Housing (Required) - Order separately from trims

| Model | Power | Color Temp |
|------------------------------------|-------|----------------------|
| A1RE-248M IC-Rated Airtight | 13.5W | 27 2700K 30 3000K |
| A1RE-346M Non IC-Rated Airtight | 13.5W | 27 2700K 30 3000K |
| A1RE-347M Non IC-Rated Airtight | 13.5W | 27 2700K 30 3000K |

A1RE-__M-__
Example: A1RE-248M-27

DESCRIPTION

ALPINE offers performance features in a simple but versatile package for residential and commercial applications alike. One housing can be used for downlight, adjustable, pinhole, wall wash trims.

FEATURES

- Adjustable LED light engine included with housing:
- Vertical Adjustment 0-30', Horizontal Adjustment 365'
- Trim or trimless with die-cast spackle frame included
- Accepts one optional honeycomb louver or optical lens

SPECIFICATIONS

Construction: Die-cast Aluminum trim and heat sink

Power: 13.5W

Input: 120-277V, 50/60Hz

Dimming: 100%-1% TRIAC/ELV
100%-5% 0-10V

Light Source: High output COB LED

Rated Life: 50,000 Hours

Mounting: Retention clip firmly hold trim to housing
Cut Out 4 1/4" New Construction Housing
3 3/4" Remodel Housing

Finish: Powder Coated White, enamel-coated haze

Ceiling Thickness: 1/2" - 1"

Operating Temp: -4°F to 104°F (-20°C to 40°C)

Standards: UL, cUL, Wet Location Listed, Title 24 JAB-2019 Compliant, IC, Airtight

GLARE CONTROL ACCESSORIES sold separately

LENS-16 HCL Honeycomb Louver

LENS ACCESSORIES sold separately



LENS-16 AMB Amber
RED Red
FR Frosted
SPR Spread
BEL Beam Elongating

| | | | |
|---|---|---|---|
| aispire.com Phone (800) 526.2588 Fax (800) 526.2585 | Headquarters/Eastern Distribution Center 44 Harbor Park Drive Port Washington, NY 11050 | Central Distribution Center 1500 Distribution Ct Lithia Springs, GA 30122 | Western Distribution Center 1750 Archibald Avenue Ontario, CA 91760 |
|---|---|---|---|

aispire retains the right to modify the design of our products at any time as part of the company's continuous improvement program. SEPT. 2020 2

A2

ALPINE
A1RE-D46, A1RE-D47 3.5' Adjustable Downlight

Fixture Type: _____
Catalog Number: _____
Project: _____
Location: _____

FINISHES

White Haze Haze/White

| Trim (Order Housing Separately) | Model | Beam | Color Temp | Lumens | CBCP | Finish |
|---------------------------------|--|------------------|----------------------|------------|--------------|-----------------------------|
| | A1RE-D46 Round Trim Downlight & Adjustable | Spot 18' | 27 2700K 30 3000K | 855 940 | 4989 5364 | HZWT Haze/White WT White |
| | | Narrow Flood 36' | 27 2700K 30 3000K | 840 905 | 1463 1574 | |
| | | Flood 51' | 27 2700K 30 3000K | 805 885 | 839 902 | |
| | A1RE-D47 Round Trimless Downlight & Adjustable | Spot 18' | 27 2700K 30 3000K | 855 940 | 4989 5364 | HZ Haze WT White |
| | | Narrow Flood 36' | 27 2700K 30 3000K | 840 905 | 1463 1574 | |
| | | Flood 51' | 27 2700K 30 3000K | 805 885 | 839 902 | |

A1RE-D4_ _ _ _ _
Example: A1RE-D46-WT

DESCRIPTION

ALPINE offers performance features in a simple but versatile package for residential and commercial applications alike. One housing can be used for downlight, adjustable, pinhole, wall wash trims.

FEATURES

- 3 beam angle options included:
- Narrow flood beam film pre-installed, interchangeable flood beam film supplied, remove film for spot beam
- IC-Rated, Airtight, New Construction
- Adjustable LED light engine included with housing:
- Vertical Adjustment 0-30', Horizontal Adjustment 360'
- Shallow housing under 4" depth
- 5 year warranty

SPECIFICATIONS

Construction: Die-cast Aluminum trim and heat sink

Power: 13.5W

Input: 120-277V, 50/60Hz

Dimming: 100%-1% TRIAC/ELV
100%-5% 0-10V

Light Source: High output COB LED

Rated Life: 50,000 Hours

Mounting: Retention clip firmly hold trim to housing
Cut Out 4 1/4" New Construction Housing
3 3/4" Remodel Housing

Finish: Powder Coated White, enamel-coated haze

Ceiling Thickness: 1/2" - 1"

Operating Temp: -4°F to 104°F (-20°C to 40°C)

Standards: UL, cUL, Wet Location Listed, Title 24 JAB-2019 Compliant, IC, Airtight

GLARE CONTROL ACCESSORIES sold separately

LENS-16 HCL Honeycomb Louver


LENS ACCESSORIES sold separately

LENS-16 AMB Amber
RED Red
FR Frosted
SPR Spread
BEL Beam Elongating

| | | | |
|---|---|---|---|
| aispire.com Phone (800) 526.2588 Fax (800) 526.2585 | Headquarters/Eastern Distribution Center 44 Harbor Park Drive Port Washington, NY 11050 | Central Distribution Center 1500 Distribution Ct Lithia Springs, GA 30122 | Western Distribution Center 1750 Archibald Avenue Ontario, CA 91760 |
|---|---|---|---|

aispire retains the right to modify the design of our products at any time as part of the company's continuous improvement program. SEPT. 2020 1

ALPINE
A1RE-D46, A1RE-D47 3.5' Adjustable Downlight



Housing (Required) - Order separately from trims

| Model | Power | Color Temp |
|------------------------------------|-------|----------------------|
| A1RE-248M IC-Rated Airtight | 13.5W | 27 2700K 30 3000K |
| A1RE-346M Non IC-Rated Airtight | 13.5W | 27 2700K 30 3000K |
| A1RE-347M Non IC-Rated Airtight | 13.5W | 27 2700K 30 3000K |

A1RE-__M-__
Example: A1RE-248M-27

DESCRIPTION

ALPINE offers performance features in a simple but versatile package for residential and commercial applications alike. One housing can be used for downlight, adjustable, pinhole, wall wash trims.

FEATURES

- Adjustable LED light engine included with housing:
- Vertical Adjustment 0-30', Horizontal Adjustment 365'
- Trim or trimless with die-cast spackle frame included
- Accepts one optional honeycomb louver or optical lens

SPECIFICATIONS

Construction: Die-cast Aluminum trim and heat sink

Power: 13.5W

Input: 120-277V, 50/60Hz

Dimming: 100%-1% TRIAC/ELV
100%-5% 0-10V

Light Source: High output COB LED

Rated Life: 50,000 Hours

Mounting: Retention clip firmly hold trim to housing
Cut Out 4 1/4" New Construction Housing
3 3/4" Remodel Housing

Finish: Powder Coated White, enamel-coated haze

Ceiling Thickness: 1/2" - 1"

Operating Temp: -4°F to 104°F (-20°C to 40°C)

Standards: UL, cUL, Wet Location Listed, Title 24 JAB-2019 Compliant, IC, Airtight

GLARE CONTROL ACCESSORIES sold separately

LENS-16 HCL Honeycomb Louver

LENS ACCESSORIES sold separately

LENS-16 AMB Amber
RED Red
FR Frosted
SPR Spread
BEL Beam Elongating

| | | | |
|---|---|---|---|
| aispire.com Phone (800) 526.2588 Fax (800) 526.2585 | Headquarters/Eastern Distribution Center 44 Harbor Park Drive Port Washington, NY 11050 | Central Distribution Center 1500 Distribution Ct Lithia Springs, GA 30122 | Western Distribution Center 1750 Archibald Avenue Ontario, CA 91760 |
|---|---|---|---|

aispire retains the right to modify the design of our products at any time as part of the company's continuous improvement program. SEPT. 2020 2



1900 MAIN STREET
VANCOUVER, WA 98660
360-859-3487


FOR DESIGN PURPOSES ONLY. NOT FOR CONSTRUCTION



| | |
|------------------|----------------------------------|
| PROJECT: | Example |
| ADDRESS: | Clark County Clark County, WA |
| SHEET: | CHT-F01 Fixture Specs 1 |
| REVISION: | 1.0 |
| DATE: | 2022 |

A3

Alpine Basics Surface
A1RP Surface 6"



aiSPIRE
A WAC COMPANY

Fixture Type: _____
Catalog Number: _____
Project: _____
Location: _____

FINISHES

White

| Model & Size | Beam | Color Temp | CRI | Watt | Lumens | Finish |
|--------------|------|------------|-----|------|--------|----------|
| A1RP-348 6" | Wide | 30 3000K | 90 | 15W | 950 | WT White |

Example: A1RP-348W-30WT

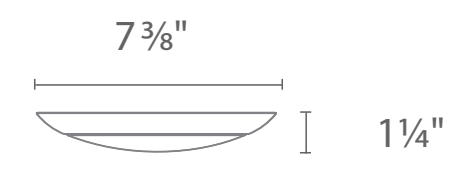
DESCRIPTION

Multiple high-powered LEDs illuminate an acrylic diffuser uniformly without socket shadows, which are common in conventional flush mounts. This multi-purpose Wet Location, flush mount can be mounted without a transformer on a ceiling or on a wall in a junction box.

FEATURES

- Multiple LED array for uniform illumination
- ACLED driverless technology
- 5 year warranty

LINE DRAWING



SPECIFICATIONS

Construction: Die-cast aluminum with white acrylic diffuser

Power: 15W

Input: 120 VAC, 50/60Hz

Dimming: ELV, 100-5%

Light Source: Integrated LED

Lens: Translucent acrylic diffuser

Rated Life: 50000 Hours

Mounting: Install over a 3" or 4" junction box

Finish: Electrostatically Powder Coated White

Operating Temp: -4°F to 104°F (-20°C to 40°C)


Standards: ETL, cETL, Wet Location Listed, Title 24 JAB-2015 Compliant, ADA

alpine.com Phone (800) 526-2588 Fax (800) 526-2585
Headquarters/Eastern Distribution Center 44 Harbor Park Drive Port Washington, NY 11050
Central Distribution Center 1500 Distribution Ct Lithia Springs, GA 30122
Western Distribution Center 1750 Archibald Avenue Ontario, CA 91760

aiSPIRE retains the right to modify the design of our products at any time as part of the company's continuous improvement program. SEPT 2020

A4

STEP LIGHTS
A1W12



aiSPIRE
A WAC COMPANY

Fixture Type: _____
Catalog Number: _____
Project: _____
Location: _____

FINISHES

BK SS WT

| Model | Color Temp | Finish |
|-------|------------------|----------------------|
| A1W12 | 27 2700K (Warm) | BK Black on Aluminum |
| | 30 3000K (White) | SS Stainless Steel |
| | | WT White on Aluminum |

Example: A1W10-27BK

DESCRIPTION

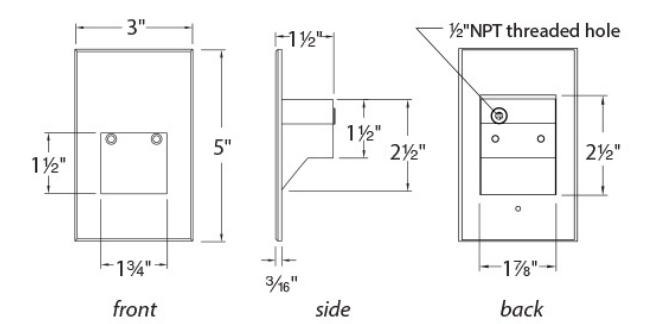
Vertical rectangle Step Light. Designed for safety and style on stairways, patios, decks, balcony areas, walkways and building perimeters.

Features an architectural design. Energy efficient for long-lasting indoor and outdoor lighting solutions. Creates an attractive, romantic impression at night.

FEATURES

- Direct wiring, no driver needed
- Title 24 JAB - 2015 Compliant
- Low profile, flush to wall aesthetics with no visible hardware 54,000 hour rated life
- Balanced lighting, free of shadows with minimum glare Up to 200 fixtures can be connected in parallel
- 5 year WAC Lighting product warranty

LINE DRAWING



SPECIFICATIONS

Construction: Die-cast aluminum or 316 marine grade cast stainless steel

Power: Direct wiring, no remote driver needed. Input voltage: 120V 50/60Hz

Light Source: Samsung HV-AC High Power LED, CRI 85

Mounting: Fits into 2" x 4" J-Box with minimum inside dimensions of 3/4" x 2" W x 2" H. Includes bracket for J-Box mount.

Dimming: Dim to 10% with electronic low voltage (ELV) dimmer. Approved dimmers: Lutron Nova-T NTELV-300 & NTELV-600, Lutron Vetroi VTELV-300 & NTELV-600, Lutron Diva DVELV-300P, Lutron Skylark SELV-300P, Lutron Maestro MAELV-600

Standards: IP66, UL & cUL Listed for wet locations. JAB-2015 Compliant

alpine.com Phone (800) 526-2588 Fax (800) 526-2585
Headquarters/Eastern Distribution Center 44 Harbor Park Drive Port Washington, NY 11050
Central Distribution Center 1500 Distribution Ct Lithia Springs, GA 30122
Western Distribution Center 1750 Archibald Avenue Ontario, CA 91760

aiSPIRE retains the right to modify the design of our products at any time as part of the company's continuous improvement program. SEPT 2020

P1

TAPE LIGHT / COB SERIES

PROLUXE

COB SERIES TAPE LIGHT
24V DC High Output COB seamless tape light

COB Tape Light features uniform illumination without the need for additional diffused covers or accessories. Featuring a premium seamless line of light making it an ideal solution for areas with low clearance or reflective surfaces to eliminate virtually all dotting or spot-glare effects.

Seamless COB design that eliminates virtually all LED dotting

Available in 2700K, 3000K, 3500K, 4000K, and 5000K

90+ color rendering index

Lumen output ranging from 349Lm to 448Lm per foot

Cuttable every 1.97" with 16.4ft max run

Easy installation featuring 3M VHB adhesive backing

Available in IP20 uncoated and IP65 Jacketed ratings

Dimmable (5-100%) with most ELV, TRIAC dimmers

cULus Listed for indoor dry (IP20) or wet (IP65) locations

JAB Compliant

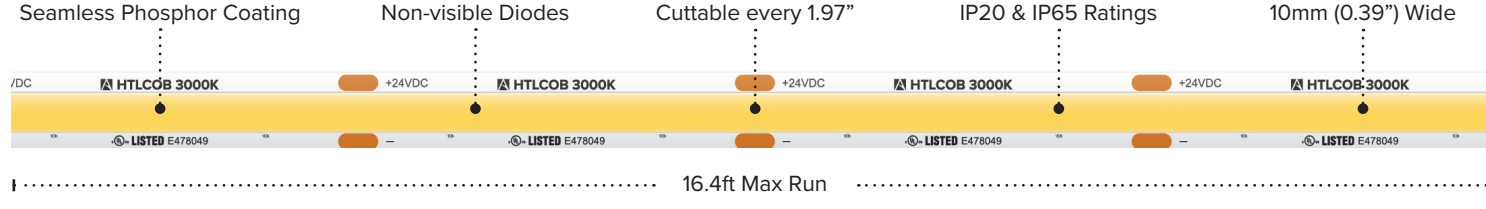
50,000 hours rated life

COB SERIES QUICK SPECS

| | |
|----------------|--|
| VOLTAGE | 24V DC |
| WATTAGE | 4.5W / ft |
| LUMENS | Up to 448Lm / ft |
| CCT OPTIONS | 2700K (Warm) 3500K / 4000K / 5000K |
| CRI | 90+ |
| MAX RUN | 16.4ft |
| CUTTING POINTS | 1.97" (50mm) |
| IP RATING | IP20 (Uncoated) / IP65 (Jacketed) |
| DIMMING | TRIAC / ELV (5-100%) |
| DIMENSIONS | 0.39" (10mm) W x 0.09" (2.5mm) H |
| BEAM ANGLE | 120° |
| OPERATING TEMP | 5°C (41°F) to 70°C (158°F) |
| CERTIFICATIONS | cULus Listed - Dry Locations (IP20) & Wet Locations (IP65) |
| RATED LIFE | 50,000 Hours |

COB SERIES QUICK LOOK

Seamless Phosphor Coating Non-visible Diodes Cuttable every 1.97" IP20 & IP65 Ratings 10mm (0.39") Wide



www.ProluxeLighting.com Sales@ProluxeLighting.com | Denver, CO | 866.700.5648 ©2022 Proluxe Lighting REV2212

TAPE LIGHT / COB SERIES

PROLUXE

COB SERIES ORDERING INFORMATION

| ITEM NUMBER | VOLTAGE | CCT | LENGTH | LUMENS / FT | WATTAGE / FT | IP RATING | CRI | CUTTING | MAX RUN |
|----------------------|---------|-------|------------|-------------|--------------|-----------|-----|---------|---------|
| PLX-HTL20-COB-UWW-16 | 24V DC | 2700K | 16.4 ft | 369Lm / ft | 4.5W / ft | IP20 | 90+ | 1.97" | 16.4 ft |
| PLX-HTL65-COB-UWW-16 | 24V DC | 2700K | 16.4 ft | 349Lm / ft | 4.5W / ft | IP65 | 90+ | 1.97" | 16.4 ft |
| PLX-HTL20-COB-UWW-CC | 24V DC | 2700K | Custom Cut | 369Lm / ft | 4.5W / ft | IP20 | 90+ | 1.97" | 16.4 ft |
| PLX-HTL20-COB-WW-16 | 24V DC | 3000K | 16.4 ft | 409Lm / ft | 4.5W / ft | IP20 | 90+ | 1.97" | 16.4 ft |
| PLX-HTL65-COB-WW-16 | 24V DC | 3000K | 16.4 ft | 379Lm / ft | 4.5W / ft | IP65 | 90+ | 1.97" | 16.4 ft |
| PLX-HTL20-COB-WW-CC | 24V DC | 3000K | Custom Cut | 409Lm / ft | 4.5W / ft | IP20 | 90+ | 1.97" | 16.4 ft |
| PLX-HTL20-COB-NW-16 | 24V DC | 3500K | 16.4 ft | 413Lm / ft | 4.5W / ft | IP20 | 90+ | 1.97" | 16.4 ft |
| PLX-HTL65-COB-NW-16 | 24V DC | 3500K | 16.4 ft | 387Lm / ft | 4.5W / ft | IP65 | 90+ | 1.97" | 16.4 ft |
| PLX-HTL20-COB-NW-CC | 24V DC | 3500K | Custom Cut | 413Lm / ft | 4.5W / ft | IP20 | 90+ | 1.97" | 16.4 ft |
| PLX-HTL20-COB-WH-16 | 24V DC | 4000K | 16.4 ft | 460Lm / ft | 4.5W / ft | IP20 | 90+ | 1.97" | 16.4 ft |
| PLX-HTL65-COB-WH-16 | 24V DC | 4000K | 16.4 ft | 415Lm / ft | 4.5W / ft | IP65 | 90+ | 1.97" | 16.4 ft |
| PLX-HTL20-COB-WH-CC | 24V DC | 4000K | Custom Cut | 460Lm / ft | 4.5W / ft | IP20 | 90+ | 1.97" | 16.4 ft |
| PLX-HTL20-COB-CW-16 | 24V DC | 5000K | 16.4 ft | 448Lm / ft | 4.5W / ft | IP20 | 90+ | 1.97" | 16.4 ft |
| PLX-HTL65-COB-CW-16 | 24V DC | 5000K | 16.4 ft | 434Lm / ft | 4.5W / ft | IP65 | 90+ | 1.97" | 16.4 ft |
| PLX-HTL20-COB-CW-CC | 24V DC | 5000K | Custom Cut | 448Lm / ft | 4.5W / ft | IP20 | 90+ | 1.97" | 16.4 ft |

16.4ft Reels (IP20) Include: Attached 3ft Lead Wire (3) TL-CONKIT (3) TL-BLKS (3) TL-2PWR-HD
16.4ft Reels (IP65) Include: Attached 3ft IP65 Lead Wire Connection (3) HD Power Feeds (IP20)
Custom Cut: Order (1) CONKIT-CC Assembly Free per length of tape; includes 3ft soldered lead wire and shrink tube cover; for additional wire, add (1) TL-WIRE per ft
*Custom Cut Lengths must be calculated in 1.97" increments (Min 1ft / Max 16.4ft). See page 3 for cut increment guide.

COB SERIES ACCESSORIES

| ITEM NUMBER | DESCRIPTION |
|-------------------|---|
| TL-CONKIT | 6' Trunk 4-in-1 Connection Kit |
| TL-BLKS | Trunk 4-in-1 Connector Block (QTY 10) |
| TL-2PWR-HD | 6' HD Power Feed (IP54) |
| TL-2JUMP6-HD | 6' HD Linking Cable (IP54) |
| TL-2JUMP24-HD | 24' HD Linking Cable (IP54) |
| TL-2SPL-HD | HD Tape to Tape Splice Connector (IP54) |
| TL-2SPL-LHD | 90° TL HD Tape to Tape Splice Connector (IP54) |
| TL-2JUMP65-5 | 6" Linking Cable (IP65) |
| TL-2JUMP65-1 | 12" Linking Cable (IP65) |
| TL-2JUMP65-2 | 24" Linking Cable (IP65) |
| WIRE-15-2PIN | 15ft (20Q) Wire Spool |
| WIRE-CMP-100-3PIN | 100ft (16Q) In-wall Rated Wire Spool |
| INLINE-SC-CTRL | Simple Select In-Line Controller (Single Color) |
| LV5B-2PIN | In-Line Splice Terminal Block |
| RCWY-PVC-IM | 1m Plastic Wire Cover Raceway (White) |

Power Supply Varies Based On Tape Length

RECOMMENDED POWER SUPPLIES

| ITEM NUMBER | DESCRIPTION | MAX. / MIN. LOAD | INPUT VOLTAGE | OUTPUT VOLTAGE | DIMMABLE | DIMENSIONS |
|-----------------|--------------------------------|------------------|---------------|----------------|----------|---------------------------|
| ADPT-DRJ-30-24 | Adaptive Series 30W | 30W / 3W | 100-277V AC | 24V | Yes* | 6.49"L x 3.6"W x 1.02"H |
| ADPT-DRJ-60-24 | Adaptive Series 60W | 60W / 6W | 100-277V AC | 24V | Yes* | 7.4"L x 3.6"W x 1.02"H |
| ADPT-DRJ-96-24 | Adaptive Series 96W | 96W / 9.6W | 100-277V AC | 24V | Yes* | 8.66"L x 3.6"W x 1.67"H |
| ADPT-DRJ-192-24 | Adaptive Series 192W (2 x 96W) | 192W / 19.2W | 100-277V AC | 24V | Yes* | 10.94"L x 4.25"W x 1.87"H |
| ADPT-DRJ-288-24 | Adaptive Series 288W (3 x 96W) | 288W / 28.8W | 100-277V AC | 24V | Yes* | 11.85"L x 4.25"W x 1.87"H |

*Phase Dimming Compatible With Most MLV, ELV, and TRIAC Dimmers

www.ProluxeLighting.com Sales@ProluxeLighting.com | Denver, CO | 866.700.5648 ©2022 Proluxe Lighting REV2212

CURRENT
HOME TECHNOLOGIES

1900 MAIN STREET
VANCOUVER, WA 98660
360-859-3487

FOR DESIGN PURPOSES ONLY. NOT FOR CONSTRUCTION



| | |
|------------------|----------------------------------|
| PROJECT: | Example |
| ADDRESS: | Clark County Clark County, WA |
| SHEET: | CHT-F02 Fixture Specs 2 |
| REVISION: | 1.0 |
| DATE: | 2022 |



P/N 3662370 Rev J
Specifications are subject to change without notice

D3 Adjustable, Round

The Ketra Difference:

High Def Palette—covers a wide range of 16.7 million colors, including pastels, saturated colors and high CRI whites spanning from 1,400K to 10,000K.

Dynamic Spectrum—precisely tunes the amount of energy across the visible spectrum to produce Natural Light, Natural Dimming and Vibrancy.

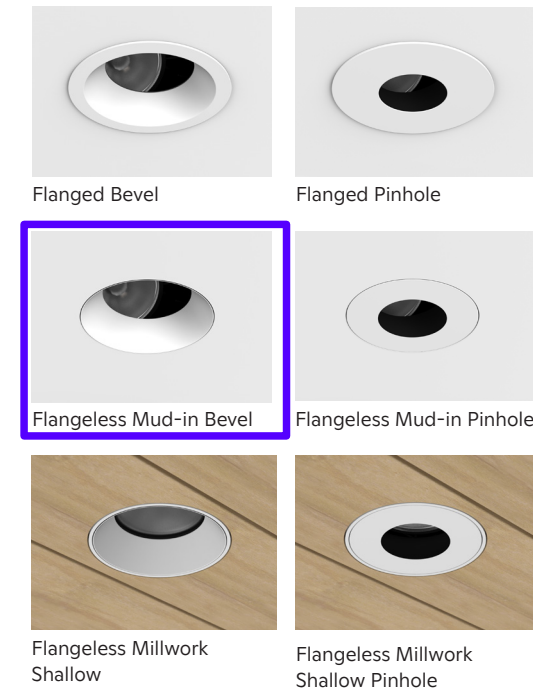
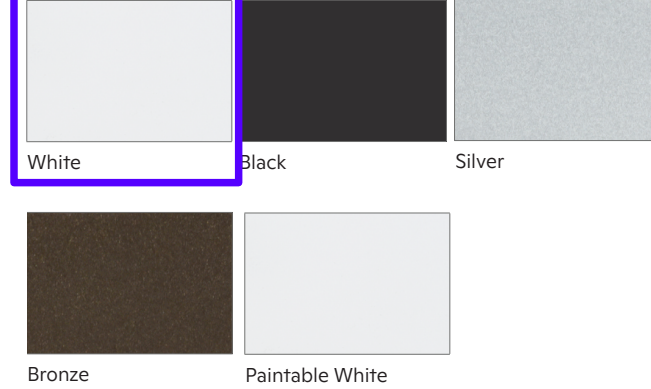
TruBeam—produces uniform color across any available beam angle.

Color Lock—maintains your desired color point at a one-step MacAdam Ellipse across all Ketra product families and over each product's lifetime.

Features:

Ketra's D3 adjustable downlight features low-profile housing, wireless communication, and field-replaceable optics and electronics. With a wealth of trim and optic accessories, the D3 is ideal for a large variety of applications. The D3 family is fully Title 24 JAB compliant and is equipped with Ketra's full suite of unique solutions.

Color Options



P/N 3662370 Rev J
Specifications are subject to change without notice

ORDERING GUIDE

Please download this PDF to use the interactive drop down features of the ordering guide.

Housing

| Product Line | Fixture / Trim | Wattage | System |
|-----------------|------------------|--------------|-----------------|
| Beam Angle | Region / Voltage | Housing Type | Optic Accessory |
| Shipping Option | Order code: | | |

| Product Line | Code | Beam Angle (cont.) | Code |
|--|--------|---|------|
| Commercial (Athena compatible) | CM- | Spot (15°) High Output | 15H |
| Residential (HomeWorks compatible) | HW- | Flood (25°) High Output | 25H |
| | | Wide Flood (40°) High Output | 40H |
| | | Very Wide Flood (60°) High Output | 60H |
| Fixture & Trim | | Region/Voltage | |
| D3 Adjustable, Round Flanged ¹ | D3ADRD | 120 V~ 60 Hz, North America | 11 |
| D3 Adjustable, Round Flangeless ^{1,2} | D3ADRM | 277 V~ 60 Hz, North America | 12 |
| D3 Adjustable, Collar Adapter Not Specified ³ | D3ADXX | Housing Type ⁴ | |
| | | New Construction, IC/Airtight | NCIC |
| | | New Construction, IC/Airtight, Flangeless Millwork Trim ⁵ | NCIM |
| | | New Construction, IC/Airtight, Outdoor/Patio, Flangeless Millwork Trim ⁶ | NCOC |
| | | New Construction, IC/Airtight, Outdoor/Patio, Flangeless Millwork Trim ⁶ | NCOM |
| Wattage | | Housing Type ⁴ | |
| 9 W | 09 | New Construction, IC/Airtight | NCIC |
| 13 W | 13 | New Construction, IC/Airtight, Outdoor/Patio ⁷ | NCOC |
| 18 W | 18 | New Construction, IC/Airtight, Outdoor/Patio ⁷ | NCOM |
| System | | Optic Accessory ⁸ (See diagram on p. 3) | |
| KetraNet | BT | None | N |
| Clear Connect-Type X | GT | None | N |
| Beam Angle | | Trim Accessory ⁹ (See diagram on p. 3) | |
| Spot (15°) Low Glare | 15L | None | N |
| Flood (25°) Low Glare | 25L | Solite Lens | S |
| Wide Flood (40°) Low Glare | 40L | Frost Lens | F |
| Very Wide Flood (60°) Low Glare | 60L | Solite Lens | S |
| | | Frost Lens | F |
| | | Shipping Option | |
| | | Single Pack | SP |

¹ D3 Adjustable, Round flanged fixture (D3ADRD) can only be used with flanged trim (D3TR-) and is compatible with NCIC/NCOC housing type, but is incompatible with NCIM/NCOM.
² Use flanged trim (D3TR-) on wood and stone ceilings with thickness in the range of 0.625 in - 1.5 in (15.8 mm - 38.1 mm) with NCIC/NCOC housing type.
³ D3 Adjustable, Round flangeless fixture (D3ADRM) can be used with a flangeless mud-in trim (D3TR-) with NCIC/NCOC housing type, or with a flangeless millwork trim (D3TRM-) with NCIM/NCOM housing type.
⁴ Use the flangeless millwork trim (D3TRM-) on wood and stone ceilings with thickness in the range of 0.625 in - 2.5 in (15.8 mm - 63.5 mm) with NCIM/NCOM housing type.
⁵ Outdoor/Patio D3s must have a trim installed with a lens.
⁶ D3s installed outdoors must use housing type NCOC or NCOM.
⁷ Downlight is well location rated when trim is installed with lens.
⁸ Ceiling installation cannot begin until the collar adapter is installed (see the Component Ordering Guide for details).
⁹ Millwork Trim Retainer supplied with Millwork Trim to ensure color match.
¹⁰ Rough-in housings with no electronics are available with a shorter lead time. For more information please contact customer service at 844.588.6445.



P/N 3662370 Rev J
Specifications are subject to change without notice

SPECIFICATIONS¹

Optical & Electrical Performance

| Delivered Lumen Output ² | 9 W | 13 W | 18 W | Pinhole lm multiplier |
|-------------------------------------|--|--------|---------|-----------------------|
| Beam Angle (1 in [25.4 mm] recess) | | | | |
| 15° beam, low glare | 650 lm | 882 lm | 1092 lm | 0.57 |
| 25° beam, low glare | 623 lm | 845 lm | 1046 lm | 0.48 |
| 40° beam, low glare | 569 lm | 772 lm | 955 lm | 0.61 |
| 60° beam, low glare | 561 lm | 760 lm | 941 lm | 0.60 |
| 15° beam, high output | 682 lm | 928 lm | 1148 lm | 0.62 |
| 25° beam, high output | 678 lm | 923 lm | 1142 lm | 0.48 |
| 40° beam, high output | 646 lm | 878 lm | 1087 lm | 0.54 |
| 60° beam, high output | 630 lm | 857 lm | 1061 lm | 0.55 |
| CRI (Ra) | >90 (R9 >90) | | | |
| Lumen Maintenance ³ | 50,000 hours to L70 @ 25 °C ⁴ | | | |
| Color Point Range ⁴ | 1400K - 10,000K, Fully Saturated, & Pastel | | | |
| Equivalent Traditional Lamp | 75 W halogen | | | |
| Dimming Range ⁴ | 0.1-100% | | | |
| Power consumption | 03.09 9 W 03.13 13 W 03.18 18 W | | | |

| Voltage | 120 V~ 60 Hz | 277 V~ 60 Hz |
|-----------------------------|-------------------------|--------------|
| Power Factor | >0.9 | |
| Inrush Current ⁵ | 800 mA, 0.2 ms duration | |

| Delivered Efficacy | 9 W | 13 W | 18 W |
|------------------------------------|--|---------|---------|
| Beam Angle (1 in [25.4 mm] recess) | | | |
| 15° beam, low glare | 72 lm/W | 68 lm/W | 61 m/W |
| 25° beam, low glare | 69 lm/W | 65 lm/W | 58 lm/W |
| 40° beam, low glare | 63 lm/W | 59 lm/W | 53 lm/W |
| 60° beam, low glare | 62 lm/W | 58 lm/W | 52 lm/W |
| 15° beam, high output | 76 lm/W | 71 lm/W | 63 lm/W |
| 25° beam, high output | 75 lm/W | 71 lm/W | 62 lm/W |
| 40° beam, high output | 72 lm/W | 68 lm/W | 59 lm/W |
| 60° beam, high output | 70 lm/W | 66 lm/W | 58 lm/W |
| Surge Protection | 1.5 kV | | |
| Emergency Lighting | Evaluated by UL for use in emergency lighting systems in accordance with standard UL 924 and CSA C22.2 No. 141 when paired with the LVS... model LUT-SHUNT-ITD (UL file E306097). See Lutron Application Note 506 (P/N 048106) at www.lutron.com for wiring details. This is only applicable to CCK fixtures used in an Athena system. | | |

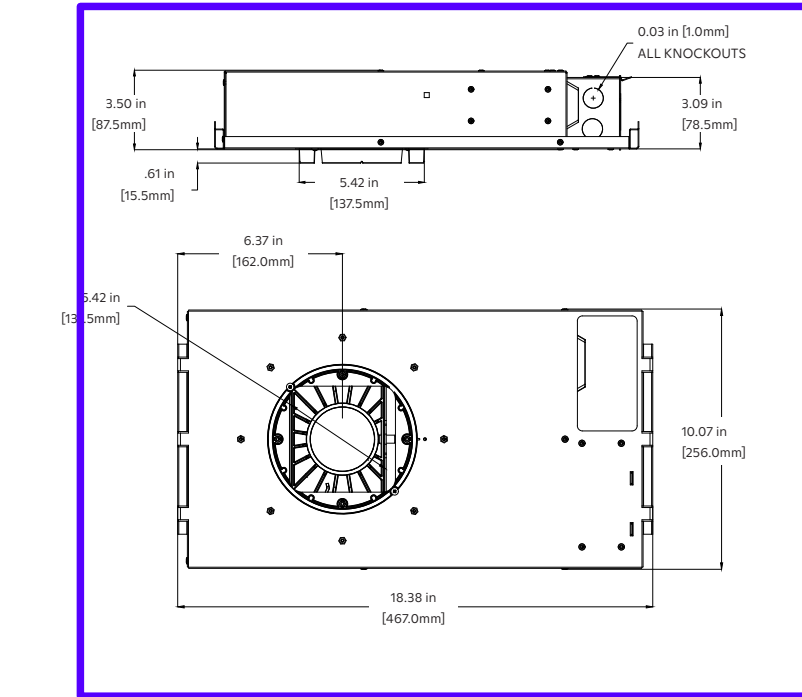
¹ All performance measurements taken with 1 in (25.4 mm) trim, with light engine at nadir at the low regress position, at 3000 K, 25 °C ambient, 100% power input, unless otherwise stated.
² Lumen measurement complies with IES LM-79-05 testing procedure.
³ Lumen maintenance values calculated in accordance to TM-21 procedures based on LM-80 compliant measurement data.
⁴ Intensity and color point control requires compatible system.
⁵ For more information on inrush current, refer to Ketra's Inrush App Note in the Support section of our website.
⁶ Rated for direct application of surge foam with less than 0.21 inductive value or 3 in (76.2 mm) of closed cell surge foam, 95 °F (35 °C) maximum operating temperature.
⁷ Color accuracy not guaranteed in Extended Operating Temperature range.
⁸ All products in the D3 family are Title 24 JAB compliant. For more information please contact customer service at ketrasales@lutron.com or 844.588.6445.



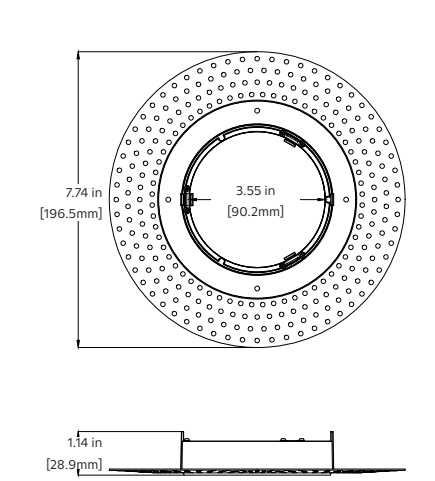
P/N 3662370 Rev J
Specifications are subject to change without notice

PRODUCT DIMENSIONS

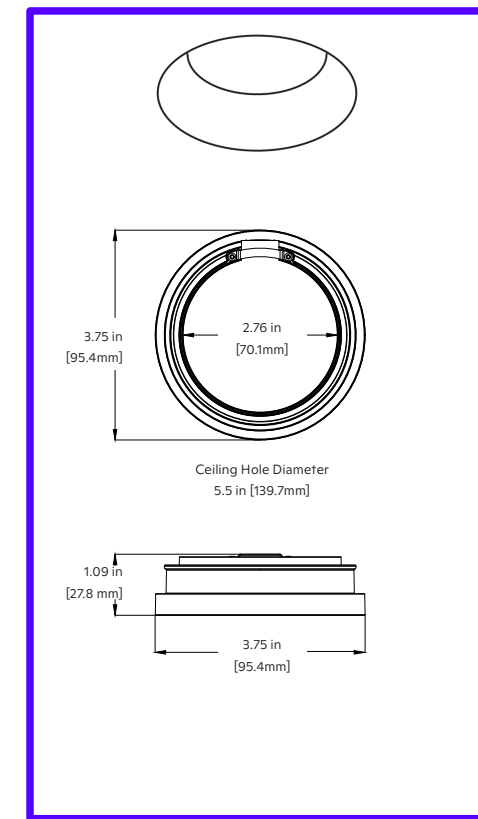
Flangeless Mud-in Housing



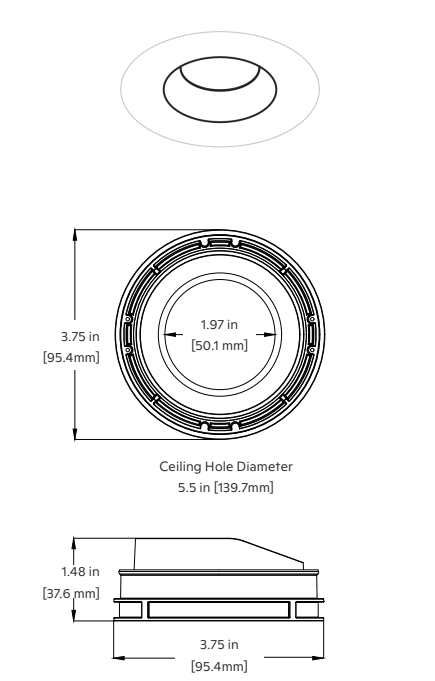
Flangeless Mud-in Trim Retainer



Flangeless Mud-in Bevel Trim



Flangeless Mud-in Adjustable Pinhole Trim



1900 MAIN STREET
VANCOUVER, WA 98660
360-859-3487

FOR DESIGN PURPOSES ONLY. NOT FOR CONSTRUCTION



| | |
|------------------|----------------------------------|
| PROJECT: | Example |
| ADDRESS: | Clark County Clark County, WA |
| SHEET: | CHT-F03 Fixture Specs 3 |
| REVISION: | 1.0 |
| DATE: | 2022 |

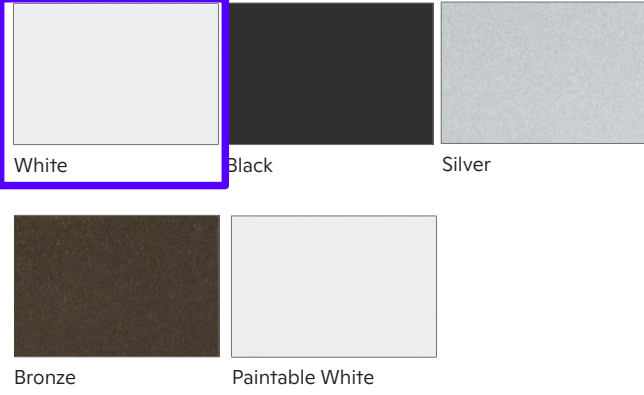
KETRA P/N 3662370 Rev J
Specifications are subject to change without notice

D3 Adjustable, Round

The Ketra Difference:
High Def Palette—covers a wide range of 16.7 million colors, including pastels, saturated colors and high CRI whites spanning from 1,400K to 10,000K.
Dynamic Spectrum—precisely tunes the amount of energy across the visible spectrum to produce Natural Light, Natural Dimming and Vibrancy.
TruBeam—produces uniform color across any available beam angle.
Color Lock—maintains your desired color point at a one-step MacAdam Ellipse across all Ketra product families and over each product's lifetime.

Features:
 Ketra's D3 adjustable downlight features low-profile housing, wireless communication, and field-replaceable optics and electronics. With a wealth of trim and optic accessories, the D3 is ideal for a large variety of applications. The D3 family is fully Title 24 JAB compliant and is equipped with Ketra's full suite of unique solutions.

Color Options



Flanged Bevel, Flanged Pinhole, Flangeless Mud-in Bevel, Flangeless Mud-in Pinhole, Flangeless Millwork Shallow, Flangeless Millwork Shallow Pinhole

Designed in Austin, TX 844.588.6445 | ketra.com © 2022 Lutron Electronics Co., Inc., All rights reserved.

KETRA P/N 3662370 Rev J
Specifications are subject to change without notice

D3 ADJUSTABLE, ROUND

ORDERING GUIDE

Please download this PDF to use the interactive drop down features of the ordering guide.

Housing

| Product Line | Fixture / Trim | Wattage | System |
|------------------------------------|----------------|---------|--------|
| Commercial (Athena compatible) | CM- | | |
| Residential (HomeWorks compatible) | HW- | | |

Beam Angle

| Region / Voltage | Housing Type | Optic Accessory | Shipping Option |
|-----------------------|--------------|-----------------|-----------------|
| 15° beam, low glare | | | |
| 25° beam, low glare | | | |
| 40° beam, low glare | | | |
| 60° beam, low glare | | | |
| 15° beam, high output | | | |
| 25° beam, high output | | | |
| 40° beam, high output | | | |
| 60° beam, high output | | | |

Trim

| Product Line | Code |
|---|---------|
| Universal | UN- |
| Flanged Trim ^{1,2} | |
| D3 Round Adjustable Bevel | D3TRFD1 |
| D3 Round Adjustable Pinhole | D3TRFPA |
| Flangeless Mud-in Trim ³ | |
| D3 Round Adjustable Bevel | D3TRXD1 |
| D3 Round Adjustable Pinhole | D3TRXPA |
| Flangeless Millwork Trim ^{4,5} | |
| D3 Round Adjustable Bevel | D3TRMD1 |
| D3 Round Adjustable Pinhole | D3TRMPA |

Product Line

| Code | Beam Angle (cont.) | Code |
|--------|-----------------------------------|------|
| CM- | Spot (15°) High Output | 15H |
| HW- | Flood (25°) High Output | 25H |
| D3ADRD | Wide Flood (40°) High Output | 40H |
| D3ADRM | Very Wide Flood (60°) High Output | 60H |

Fixture & Trim

| Code | Region/Voltage | Code |
|--------|-----------------------------|------|
| D3ADRD | 120 V~ 60 Hz, North America | 11 |
| D3ADRM | 277 V~ 60 Hz, North America | 12 |

Wattage

| Code | Code |
|------|------|
| 09 | 9 W |
| 13 | 13 W |
| 18 | 18 W |

System

| Code | Code |
|------|----------------------|
| BT | KetraNet |
| GT | Clear Connect-Type X |

Beam Angle

| Code | Code |
|------|---------------------------------|
| 15L | Spot (15°) Low Glare |
| 25L | Flood (25°) Low Glare |
| 40L | Wide Flood (40°) Low Glare |
| 60L | Very Wide Flood (60°) Low Glare |

Shipping Option

| Code | Code |
|------|---|
| SP | Single Pack (Default; ships with Butterfly Brackets & 24 in Nailer Bars to be installed in field) |

Trim Color

| Code | Code |
|------|-----------------|
| PWH | White |
| PSK | Black |
| PSR | Silver |
| PRZ | Bronze |
| CWH | Paintable White |

Trim Accessory⁷ (See diagram on p. 3)

| Code | Code |
|------|-------------|
| N | None |
| S | Solite Lens |
| F | Frost Lens |
| H | Hex Louver |
| S | Solite Lens |
| F | Frost Lens |

Optic Accessory⁸ (See diagram on p. 3)

| Code | Code |
|------|-------------|
| N | None |
| S | Solite Lens |
| F | Frost Lens |

Order code: _____

Footnotes:
 1. D3 Adjustable, Round Flanged Fixture (D3ADRD) can only be used with flanged trims (D3TRF-*) and is compatible with NCIC/NCOC housing type, but is incompatible with NCIM/NCOM housing type.
 2. Use flanged trims (D3TRF-*) on wood and stone ceilings with thickness in the range of 0.625 in. - 1.5 in (15.8 mm - 38.1 mm) with NCIC/NCOC housing type.
 3. D3 Adjustable, Round Flangeless Fixture (D3ADRM) can be used with a flangeless mud-in trim (D3TR-*) with NCIC/NCOC housing type, or with a flangeless millwork trim (D3TRM-*) with NCIM/NCOM housing type.
 4. Use the flangeless millwork trims (D3TRM-*) on wood and stone ceilings with thickness in the range of 0.625 in. - 2.5 in (15.8 mm - 63.5 mm) with NCIM/NCOM housing type.
 5. Outdoor/Patho D3s must have a trim installed with a lens.
 6. D3s installed outdoors must use housing type NCOC or NCOM.
 7. Downlight is wet location rated when trim is installed with lens.
 8. Ceiling installation cannot begin until the collar adapter is installed (see the Component Ordering Guide for details).
 9. Millwork Trim Retainer supplied with Millwork Trim to ensure color match.
 10. Rough-in housings with no electronics are available with a shorter lead time. For more information please contact customer service at 844.588.6445.

Designed in Austin, TX 844.588.6445 | ketra.com © 2022 Lutron Electronics Co., Inc., All rights reserved.

KETRA P/N 3662370 Rev J
Specifications are subject to change without notice

D3 ADJUSTABLE, ROUND

SPECIFICATIONS¹

Optical & Electrical Performance

| Beam Angle (1 in [25.4 mm] recess) | 9 W | 13 W | 18 W | Pinhole lm multiplier |
|------------------------------------|--------|--------|---------|-----------------------|
| 15° beam, low glare | 650 lm | 882 lm | 1092 lm | 0.57 |
| 25° beam, low glare | 623 lm | 845 lm | 1046 lm | 0.48 |
| 40° beam, low glare | 569 lm | 772 lm | 955 lm | 0.61 |
| 60° beam, low glare | 561 lm | 760 lm | 941 lm | 0.60 |
| 15° beam, high output | 682 lm | 928 lm | 1148 lm | 0.62 |
| 25° beam, high output | 678 lm | 923 lm | 1142 lm | 0.48 |
| 40° beam, high output | 646 lm | 878 lm | 1087 lm | 0.54 |
| 60° beam, high output | 630 lm | 857 lm | 1061 lm | 0.55 |

Lumen Maintenance²: 1400K - 10,000K, Fully Saturated, & Pastel
 Color Point Range³: 75 W halogen
 Dimming Range⁴: 0.1-100%
 Power consumption: D3.09 9 W, D3.13 13 W, D3.18 18 W
 Voltage: 120 V~ 60 Hz, 277 V~ 60 Hz
 Power Factor: >0.9
 Inrush Current⁵: 800 mA, 0.2 ms duration
 Delivered Efficacy: 9 W, 13 W, 18 W
 15° beam, low glare: 72 lm/W, 68 lm/W, 61 m/W
 25° beam, low glare: 69 lm/W, 65 lm/W, 58 lm/W
 40° beam, low glare: 63 lm/W, 59 lm/W, 53 lm/W
 60° beam, low glare: 62 lm/W, 58 lm/W, 52 lm/W
 15° beam, high output: 76 lm/W, 71 lm/W, 63 lm/W
 25° beam, high output: 75 lm/W, 71 lm/W, 62 lm/W
 40° beam, high output: 72 lm/W, 68 lm/W, 59 lm/W
 60° beam, high output: 70 lm/W, 66 lm/W, 58 lm/W
 Surge Protection: 2.5 KV
 Emergency Lighting: Evaluated by UL for use in emergency lighting systems in accordance with standard UL 924 and CSA C22.2 No. 41 when paired with the UL-Model LUT-SHUNT-A-TD (UL file: E206507). See Lutron Application Note 106 (P/N 048103) at www.lutron.com for wiring details. This is only applicable to CCX fixtures used in an Athena system.

Environmental

Operating Temperature (T_a): 0 - 40 °C
 Storage Temperature: -20 - 80 °C
 Humidity: 0 - 95%, Non-condensing
 Certification: UL, cUL, 120 V~ FCC Class B, 277 V~; FCC Class A, Title 24 [UA8]⁶
 Location: UL Damp Location, UL Wet Location Available with Trim Lens
 Outdoor use available with Trim Lens
 Extended Operating Temperature: -35 - 0 °C⁷

Mechanical

Mounting Options: Hanger Bars/ Butterfly Brackets
 Field Replaceable Optics: Yes
 Field Replaceable Light Engine: Yes
 Field Replaceable Power Supply: Yes
 Additional Optic Lens: 2.5 in (63.5 mm) lens, 1/4 in (3.18 mm) thick
 Additional Trim Lens: 2.75 in (69.85 mm) lens, 1/4 in (3.18 mm) thick
 Housing Material: Powder Coated Steel, Polymer
 Lens Material: Glass

Dimensions

Ceiling Hole Diameter: 4 in (101.6 mm) flanged; 5.5 in (139.7 mm) flangeless mud-in; 4 in (101.6 mm) flangeless millwork; 4.63 in (117.6 mm) flanged; 3.75 in (95.2 mm) flangeless mud-in; 4 in (101.6 mm) flangeless millwork
 Trim Outside Diameter: Flanged: 2.84 in (72.34 mm) Bevel; 1.97 in (50 mm) Pinhole
 Trim Inside Diameter: Flangeless: 2.76 in (70.1 mm) Bevel; 1.97 in (50 mm) Pinhole
 Trim Thickness: 1/4 in (1.6 mm) (Flanged trims only)
 Optics Outside Diameter: 2.5 in (63.5 mm)
 Ceiling Thickness: Flanged, flangeless mud-in: 0.625 - 1.5 in (15.8 - 38.1 mm)
 Flangeless millwork collar: 0.625 - 2.5 in (15.8 - 63.5 mm)
 Emitter Vertical Adjustment (tool-free): 0.75 in (19 mm)
 Housing Vertical Adjustment via Butterfly Bracket: 1.75 in (44.5 mm)
 Adjustability: Tilt to 40° Full 364° Rotation
 Housing Height: 3.50 in (88.9 mm)
 Housing Length: 18.38 in (466.8 mm)
 Housing Width: 10 in (254 mm)
 Unit Weight: 7.75 lb (3.51 kg)

Footnotes:
 1. All performance measurements taken with 1 in (25.4 mm) trim, with light engine at radii at the low regress position, at 3000 K, 25 °C ambient, 100% power input, unless otherwise stated.
 2. Lumen maintenance complies with IES LM-79-08 testing procedure.
 3. Lumen maintenance values calculated in accordance with TM-21 procedures based on LM-80 compliant measurement data.
 4. Intensity and color point control requires compatible system.
 5. For more information on inrush current, refer to the technical data sheet.
 6. For more information on inrush current, refer to the technical data sheet. See Note in the Support section of our website.
 7. Rated for direct application of spray foam with less than 8-21 insulative value or 3 in (76.2 mm) of closed cell spray foam, 95 °F (35 °C) maximum operating temperature.
 8. Color accuracy not guaranteed in Extended Operating Temperature range.
 9. All products in the D3 family are Title 24 JAB compliant. For more information please contact customer service at ketrasales@lutron.com or 844.588.6445.
 10. All products in the D3 family are Title 24 JAB compliant. For more information please contact customer service at ketrasales@lutron.com or 844.588.6445.

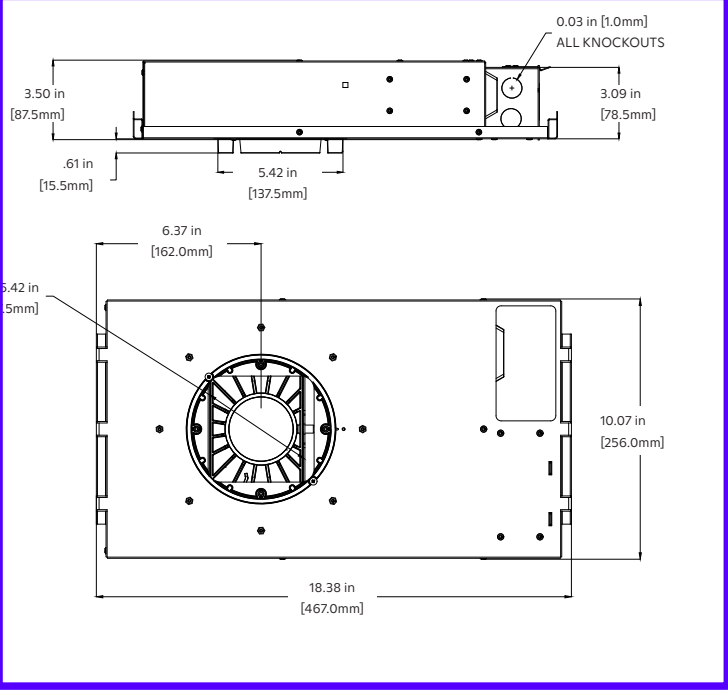
Designed in Austin, TX 844.588.6445 | ketra.com © 2022 Lutron Electronics Co., Inc., All rights reserved.

KETRA P/N 3662370 Rev J
Specifications are subject to change without notice

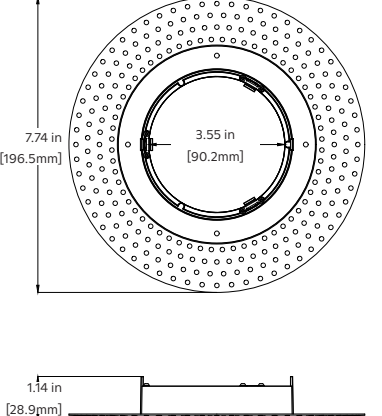
D3 ADJUSTABLE, ROUND

PRODUCT DIMENSIONS

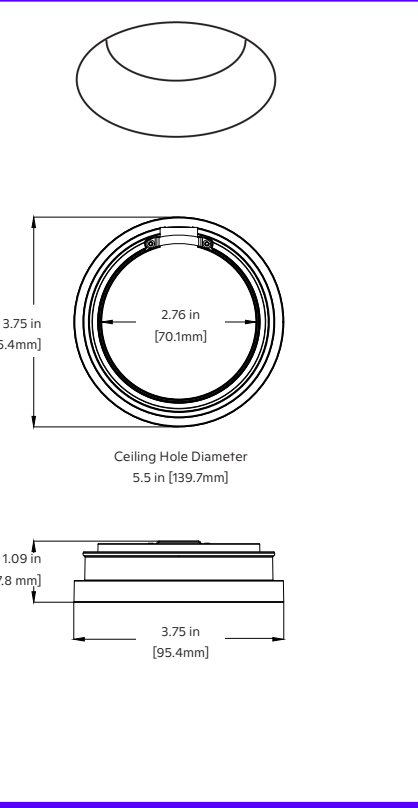
Flangeless Mud-in Housing



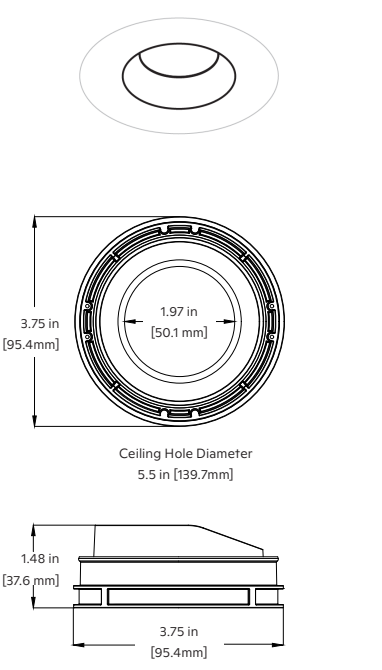
Flangeless Mud-in Trim Retainer



Flangeless Mud-in Bevel Trim



Flangeless Mud-in Adjustable Pinhole Trim



Designed in Austin, TX 844.588.6445 | ketra.com © 2022 Lutron Electronics Co., Inc., All rights reserved.

CURRENT
HOME TECHNOLOGIES

1900 MAIN STREET
VANCOUVER, WA 98660
360-859-3487

FOR DESIGN PURPOSES ONLY. NOT FOR CONSTRUCTION

| | |
|------------------|----------------------------------|
| PROJECT: | Example |
| ADDRESS: | Clark County Clark County, WA |
| SHEET: | CHT-F04 Fixture Specs 4 |
| REVISION: | 1.0 |
| DATE: | 2022 |



P/N 3662370 Rev J
Specifications are subject to change without notice

D3 Adjustable, Round

The Ketra Difference:

High Def Palette—covers a wide range of 16.7 million colors, including pastels, saturated colors and high CRI whites spanning from 1,400K to 10,000K.

Dynamic Spectrum—precisely tunes the amount of energy across the visible spectrum to produce Natural Light, Natural Dimming and Vibrancy.

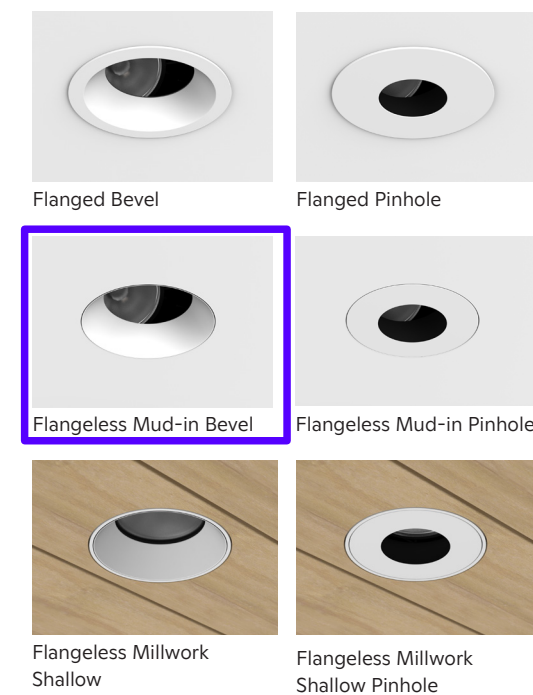
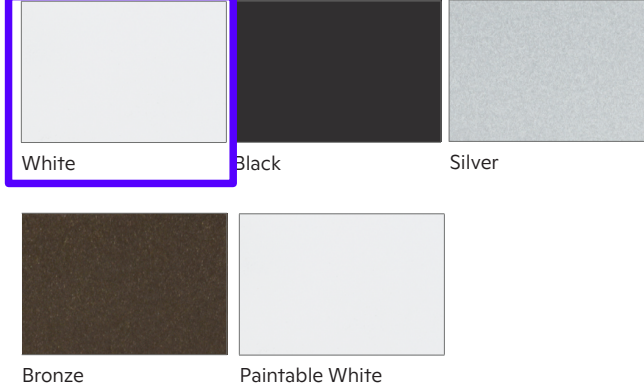
TruBeam—produces uniform color across any available beam angle.

Color Lock—maintains your desired color point at a one-step MacAdam Ellipse across all Ketra product families and over each product's lifetime.

Features:

Ketra's D3 adjustable downlight features low-profile housing, wireless communication, and field-replaceable optics and electronics. With a wealth of trim and optic accessories, the D3 is ideal for a large variety of applications. The D3 family is fully Title 24 JAB compliant and is equipped with Ketra's full suite of unique solutions.

Color Options



D3 ADJUSTABLE, ROUND

P/N 3662370 Rev J
Specifications are subject to change without notice

ORDERING GUIDE

Please download this PDF to use the interactive drop down features of the ordering guide.

Housing

| Product Line | Fixture / Trim | Wattage | System |
|-----------------|------------------|--------------|-----------------|
| Beam Angle | Region / Voltage | Housing Type | Optic Accessory |
| Shipping Option | | | |

Order code: _____

| Product Line | Code | Beam Angle (cont.) | Code |
|---|--------|---|------|
| Commercial (Athena compatible) | CM- | Spot (15°) High Output | 15H |
| Residential (HomeWorks compatible) | HW- | Flood (25°) High Output | 25H |
| | | Wide Flood (40°) High Output | 40H |
| | | Very Wide Flood (60°) High Output | 60H |
| Fixture & Trim | | | |
| D3 Adjustable, Round Flanged ^{1,2} | D3ADRD | Region/Voltage | |
| D3 Adjustable, Round | D3ADRM | 120 V~ 60 Hz, North America | 11 |
| Flangeless ^{3,4,5} | | 277 V~ 60 Hz, North America | 12 |
| D3 Adjustable, Collar Adapter | D3ADXX | Housing Type ⁶ | |
| Not Specified ⁸ | | New Construction, IC/Airtight | NCIC |
| Wattage | | | |
| 9 W | 09 | New Construction, IC/Airtight, Flangeless Millwork Trim ⁹ | NCIM |
| 13 W | 13 | New Construction, IC/Airtight, Outdoor/Path ⁵ | NCOC |
| 18 W | 18 | New Construction, IC/Airtight, Outdoor/Path, Flangeless Millwork Trim ⁹ | NCOM |
| System | | | |
| KetraNet | BT | Optic Accessory ⁷ (See diagram on p. 3) | |
| Clear Connect-Type X | GT | None | N |
| Beam Angle | | | |
| Spot (15°) Low Glare | 15L | Solite Lens | S |
| Flood (25°) Low Glare | 25L | Frost Lens | F |
| Wide Flood (40°) Low Glare | 40L | Hex Louver | H |
| Very Wide Flood (60°) Low Glare | 60L | Shipping Option | |
| | | Single Pack | SP |
| | | (Default, ships with Butterfly Brackets & 24 in Nailer Bars to be installed in field) | |

¹ D3 Adjustable, Round flanged fixture (D3ADRD) can only be used with flanged trim (D3TRF-) and is compatible with NCIC/NCOC housing type, but is incompatible with NCIM/NCOM.
² Use flanged trim (D3TRF-) on wood and stone ceilings with thickness in the range of 0.625 in - 1.5 in (15.8 mm - 38.1 mm) with NCIC/NCOC housing type.
³ D3 Adjustable, Round flangeless fixture (D3ADRM) can be used with a flangeless mud-in trim (D3TRM-) with NCIC/NCOC housing type, or with a flangeless millwork trim (D3TRM-) with NCIM/NCOM housing type.
⁴ Use the flangeless millwork trim (D3TRM-) on wood and stone ceilings with thickness in the range of 0.625 in - 2.5 in (15.8 mm - 63.5 mm) with NCIM/NCOM housing type.
⁵ Outdoor/Path (D3) must have a trim installed with a lens.
⁶ D3s installed outdoors must use housing type NCOC or NCOM.
⁷ Downlight is used location rated when trim is installed with lens.
⁸ Ceiling installation cannot begin until the collar adapter is installed (see the Component Ordering Guide for details).
⁹ Millwork Trim Retainer supplied with Millwork Trim to ensure color match.
¹⁰ Rough-in housings with no electronics are available with a shorter lead time. For more information please contact customer service at 844.588.6445.



D3 ADJUSTABLE, ROUND

P/N 3662370 Rev J
Specifications are subject to change without notice

SPECIFICATIONS¹

Optical & Electrical Performance

| Delivered Lumen Output ² | 9 W | 13 W | 18 W | Pinhole lm multiplier |
|-------------------------------------|--|--------|---------|-----------------------|
| Beam Angle (1 in [25.4 mm] recess) | | | | |
| 15° beam, low glare | 650 lm | 882 lm | 1092 lm | 0.57 |
| 25° beam, low glare | 623 lm | 845 lm | 1046 lm | 0.48 |
| 40° beam, low glare | 569 lm | 772 lm | 955 lm | 0.61 |
| 60° beam, low glare | 561 lm | 760 lm | 941 lm | 0.60 |
| 15° beam, high output | 682 lm | 928 lm | 1148 lm | 0.62 |
| 25° beam, high output | 678 lm | 923 lm | 1142 lm | 0.48 |
| 40° beam, high output | 646 lm | 878 lm | 1087 lm | 0.54 |
| 60° beam, high output | 630 lm | 857 lm | 1061 lm | 0.55 |
| CRI (Ra) | >90 (R9 >90) | | | |
| Lumen Maintenance ³ | 50,000 hours to L70 @ 25 °C _a | | | |
| Color Point Range ⁴ | 1400K ~ 10,000K, Fully Saturated, & Pastel | | | |
| Equivalent Traditional Lamp | 75 W halogen | | | |
| Dimming Range ⁵ | 0.1-100% | | | |
| Power consumption | D3.09 9 W D3.13 13 W D3.18 18 W | | | |

| Voltage | 120 V~ 60 Hz | 277 V~ 60 Hz |
|-----------------------------|-------------------------|--------------|
| Power Factor | >0.9 | |
| Inrush Current ⁶ | 800 mA, 0.2 mS duration | |

| Delivered Efficacy | 9 W | 13 W | 18 W |
|------------------------------------|---------|---------|---------|
| Beam Angle (1 in [25.4 mm] recess) | | | |
| 15° beam, low glare | 72 lm/W | 68 lm/W | 61 m/W |
| 25° beam, low glare | 69 lm/W | 65 lm/W | 58 lm/W |
| 40° beam, low glare | 63 lm/W | 59 lm/W | 53 lm/W |
| 60° beam, low glare | 62 lm/W | 58 lm/W | 52 lm/W |
| 15° beam, high output | 76 lm/W | 71 lm/W | 63 lm/W |
| 25° beam, high output | 75 lm/W | 71 lm/W | 62 lm/W |
| 40° beam, high output | 72 lm/W | 68 lm/W | 59 lm/W |
| 60° beam, high output | 70 lm/W | 66 lm/W | 58 lm/W |

| Trim Color | White | PWH |
|-----------------|-------|-----|
| Black | PBK | |
| Silver | PSR | |
| Bronze | PBZ | |
| Paintable White | CWH | |

| Trim Accessory ⁷ (See diagram on p. 3) | None | N |
|---|------|---|
| Solite Lens | S | |
| Frost Lens | F | |
| Hex Louver | H | |
| Solite Lens | S | |
| Frost Lens | F | |

| Emergency Lighting | 2.5 KV |
|--------------------|--------|
| Surge Protection | 2.5 KV |

Emergency Lighting: Evaluated by UL for use in emergency lighting systems in accordance with standard UL 924 and CSA C22.2 No. 54 when paired with the L.S. model LUT-SHUNT-A-TD (UL file E206507). See Lutron Application Note 126 (P/N 048106) at www.lutron.com for wiring details. This is only applicable to CCOX fixtures used in an Athena system.

| Operating Temperature (T _a) | 0 - 40 °C ¹ |
|---|---|
| Storage Temperature | -20 - 80 °C |
| Humidity | 0 - 95% Non-condensing |
| Certification | UL cUL, 120 V~; FCC Class B, 277 V~; FCC Class A, Title 24 [JAB] ⁸ |
| Location | UL Damp Location, UL Wet Location Available with Trim Lens |
| Outdoor Use | Outdoor use available with Trim Lens |
| Extended Operating Temperature | -35 - 0 °C ^{9,7} |

¹ All performance measurements taken with 1 in (25.4 mm) trim, with light engine at nadir at the low regress position, at 3000 K, 25 °C ambient, 100% power input, unless otherwise stated.
² Lumen measurement complies with IES LM-79-08 testing procedures.
³ Lumen maintenance values calculated in accordance with TM-21 procedures based on LM-80 compliant measurement data.
⁴ Intensity and color point control requires compatible system.
⁵ For more information on inrush current, refer to Ketra's Inrush App Note in the Support section of our website.
⁶ Refer to direct application of spot beam with the P-21 resistive value or 3 in (76.2 mm) or closed end spot beam, 95 °F (35 °C) maximum operating temperature.
⁷ Color accuracy not guaranteed in Extended Operating Temperature range.
⁸ All products in the D3 family are Title 24 JAB compliant. For more information please contact customer service at ketrasales@lutron.com or 844.588.6445.

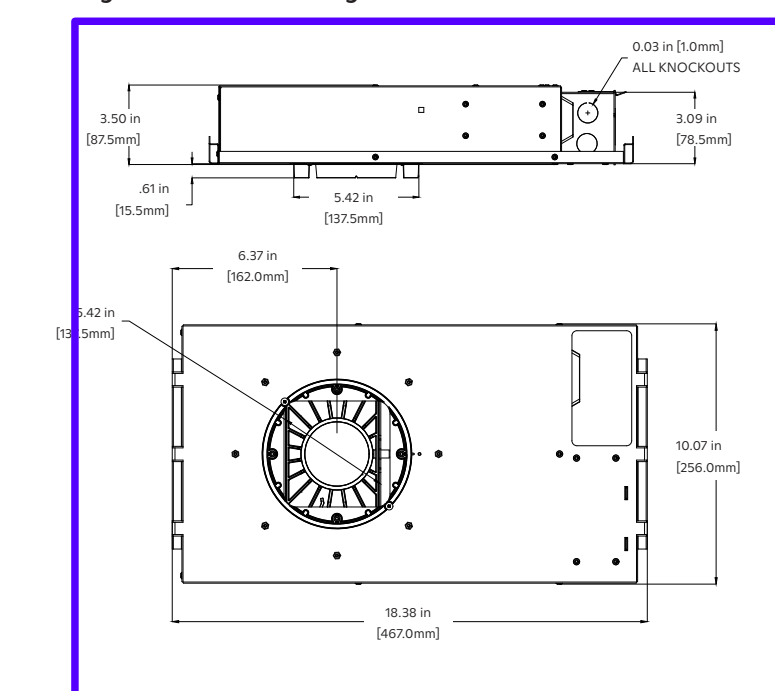


D3 ADJUSTABLE, ROUND

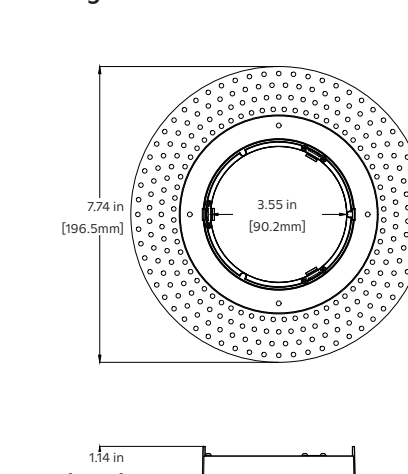
P/N 3662370 Rev J
Specifications are subject to change without notice

PRODUCT DIMENSIONS

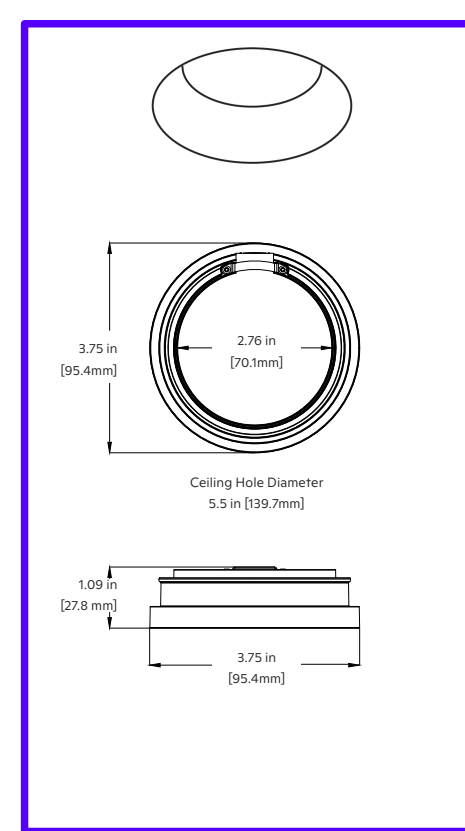
Flangeless Mud-in Housing



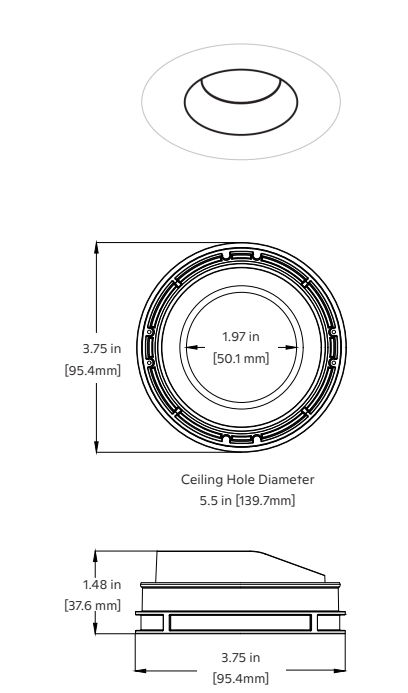
Flangeless Mud-in Trim Retainer



Flangeless Mud-in Bevel Trim



Flangeless Mud-in Adjustable Pinhole Trim



1900 MAIN STREET
VANCOUVER, WA 98660
360-859-3487

FOR DESIGN PURPOSES ONLY. NOT FOR CONSTRUCTION



| | |
|------------------|----------------------------------|
| PROJECT: | Example |
| ADDRESS: | Clark County Clark County, WA |
| SHEET: | CHT-F05 Fixture Specs 5 |
| REVISION: | 1.0 |
| DATE: | 2022 |



P/N 3662383 Rev 1
Specifications are subject to change without notice

S30 Track Luminaire

The Ketra Difference:

High Def Palette—covers a wide range of 16.7 million colors, including pastels, saturated colors and high CRI whites spanning from 1,400K to 10,000K.

Dynamic Spectrum—precisely tunes the amount of energy across the visible spectrum to produce Natural Light, Natural Dimming and Vibrancy.

TruBeam—produces uniform color across any available beam angle.

Color Lock—maintains your desired color point at a one-step MacAdam Ellipse across all Ketra product families and over each product's lifetime.



ORDERING GUIDE

Please download this PDF to use the interactive drop down features of the ordering guide.

| Product Line | Series | Form Factor | Lumens | System/Beam Angle | Region / Voltage | Base Type | Adapter Type | Housing Color | Accessory Type |
|--------------|--------|-------------|--------|-------------------|------------------|-----------|--------------|---------------|----------------|
| TA | S30 | 11 | G24 | | | | | | |

Order code: _____

| Product Line | Code | System/Beam Angle | Code | Adapter Type | Code |
|------------------------------------|------|--|-------|---------------------------------------|-----------------------------------|
| Commercial (Athena Compatible) | CM- | KetraNet Spot (15°) | CTSP | 11-Type ¹ Compatible | H |
| Residential (HomeWorks compatible) | HW- | KetraNet Flood (25°) | BTFL | 1/2 in (12.7 mm) NPT Canopy Mount | N |
| Model | TA | KetraNet Wide Flood (40°) | BTWFL | Housing Color | White |
| | | KetraNet Very Wide Flood (60°) | BTWFL | | White |
| Track Luminaire | TA | KetraNet Extra Wide Flood (90° BR Style) | BTXFL | Housing Color | White |
| | | CCX Spot (15°) ¹ | GTSP | | Black |
| Form Factor | S30 | CCX Flood (25°) ¹ | GTFL | Accessory Type | |
| | | CCX Wide Flood (40°) ¹ | GTWFL | | Short Snoot 30° cutoff |
| S30 | S30 | CCX Very Wide Flood (60°) ¹ | GTWFL | Tall Snoot 30° cutoff | SNT30 |
| | | CCX Extra Wide Flood (90° BR Style) ¹ | GTXFL | Hex Louver 45° cutoff, includes SNT30 | LUV45 |
| Lumens | 800 | Region / Voltage | 11 | No Accessory | Baffle 15° cutoff, includes SNT30 |
| | | | | | North America, 120 V~ 60 Hz |
| 1050 | 10 | Base Type | G24 | | |
| | | | | North America, 120 V~ 60 Hz | NA |

¹ CCX stands for Clear Connect-Type X.



S30 TRACK LUMINAIRE

P/N 3662383 Rev 1
Specifications are subject to change without notice

SPECIFICATIONS¹

Optical Performance

| | |
|--------------------------------|--|
| Lumen Output ² | 800 lm/ 1050 lm |
| CRI (Ra) ³ | >90 (Ra >90) |
| Lumen Maintenance ⁴ | 50,000 hours to L70 @ 25°C T _a |
| Color Point Maintenance | One-step MacAdam Ellipse over product lifetime |
| Equivalent Traditional Lamp | 75 W halogen PAR30 |
| Dimming Range ⁵ | 0.1-100% |

Environmental

| | |
|---|-------------------------------------|
| Operating Temperature (T _a) | 0–50°C |
| Storage Temperature | -20–80°C |
| Humidity | 0–95%, Non-condensing |
| Certification | UL cUL, RoHS, FCC Class B |
| Location | UL Damp Location, IP20 |
| Outdoor Use | Not for use in outdoor applications |

Mechanical

| | |
|------------------|---------------------------------|
| Weight | 11.95 oz, 339 g |
| Housing Material | Powder Coated Aluminum, Polymer |
| Lens Material | Non-yellowing PMMA |
| Base Type | GU24 |

Electrical

| | |
|--------------------|---|
| Power Consumption | S30.08 11W/ S30.10 17W |
| Power Factor | >0.9 |
| Current | 170 mA Max |
| Efficacy | S30.08 75 lm/W / S30.10 62 lm/W |
| Emergency Lighting | Evaluated by UL for use in emergency lighting systems in accordance with standard UL 924 and CSA C22.2 No. 141 when paired with the LVS... model LUT-SHUNT-A-7D (UL file E206507). See Lutron Application Note 106 (P/N 048106) at www.lutron.com for wiring details. This is only applicable to CCX fixtures used in an Athena system. |

Accessories

| | |
|---|-------------|
| S30 Accessory Snoot 30° cutoff, White | S30ASNT30WH |
| S30 Accessory Snoot 30° cutoff, Black | S30ASNT30BK |
| S30 Accessory Snoot 55° cutoff, White | S30ASNT55WH |
| S30 Accessory Snoot 55° cutoff, Black | S30ASNT55BK |
| S30 Accessory Louver 45° cutoff, White (Requires S30ASNT50) | S30ALUV45WH |
| S30 Accessory Louver 45° cutoff, Black (Requires S30ASNT50) | S30ALUV45BK |
| S30 Accessory Baffle 15° cutoff, White (Requires S30ASNT30) | S30ABFL15WH |
| S30 Accessory Baffle 15° cutoff, Black (Requires S30ASNT30) | S30ABFL15BK |

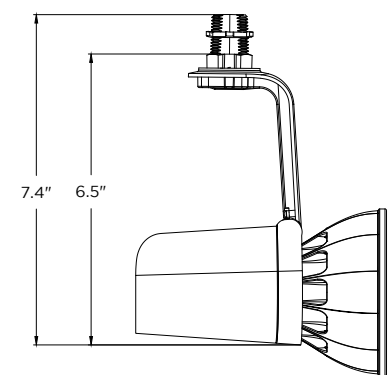
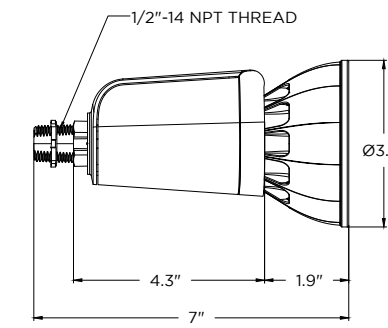
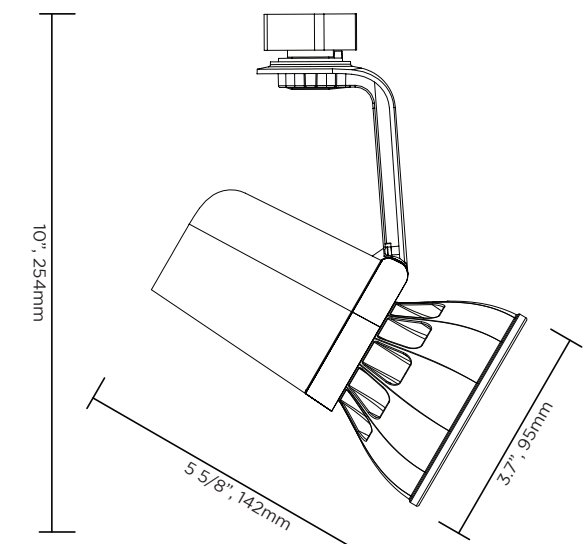
¹ All performance measurements taken at 3000K, 25°C ambient, 100% power input, unless otherwise stated.

² Lumen measurement complies with IES LM-79-08 testing procedures.

³ See color gamut chart at the end of this document.

⁴ Lumen maintenance values calculated in accordance to TM-21 procedures based on LM-80 compliant measurement data.

⁵ Intensity and color point control requires compatible system.



CAD files available upon request



1900 MAIN STREET
VANCOUVER, WA 98660
360-859-3487

FOR DESIGN PURPOSES ONLY. NOT FOR CONSTRUCTION



| | |
|------------------|----------------------------------|
| PROJECT: | Example |
| ADDRESS: | Clark County Clark County, WA |
| SHEET: | CHT-F06 Fixture Specs 6 |
| REVISION: | 1.0 |
| DATE: | 2022 |